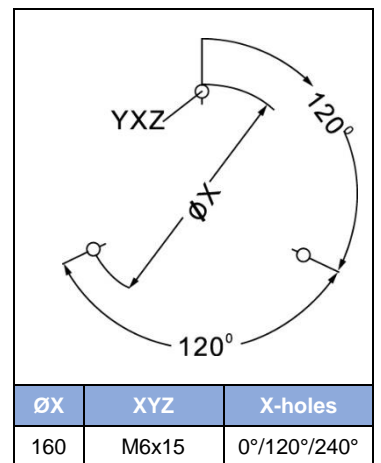
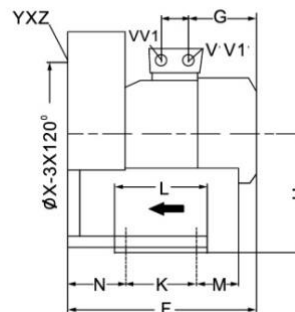
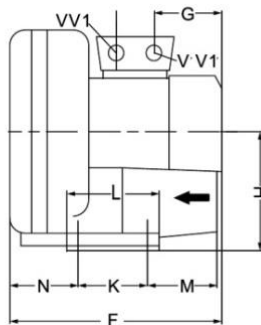
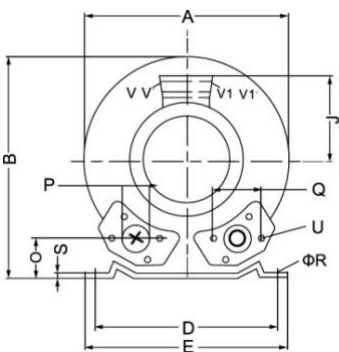
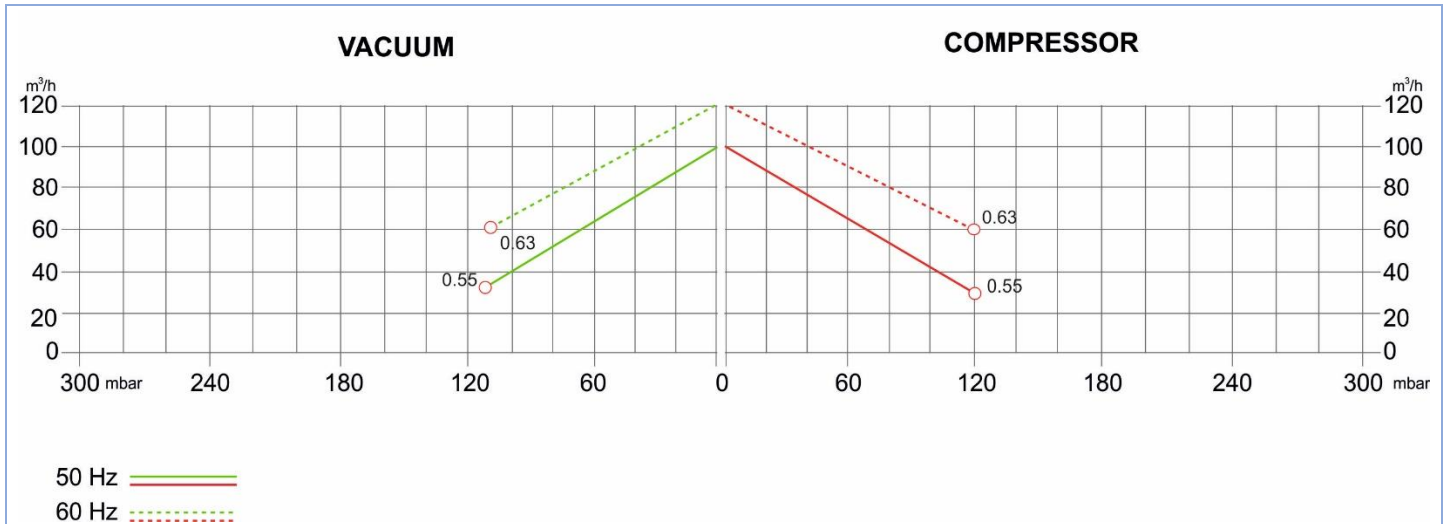


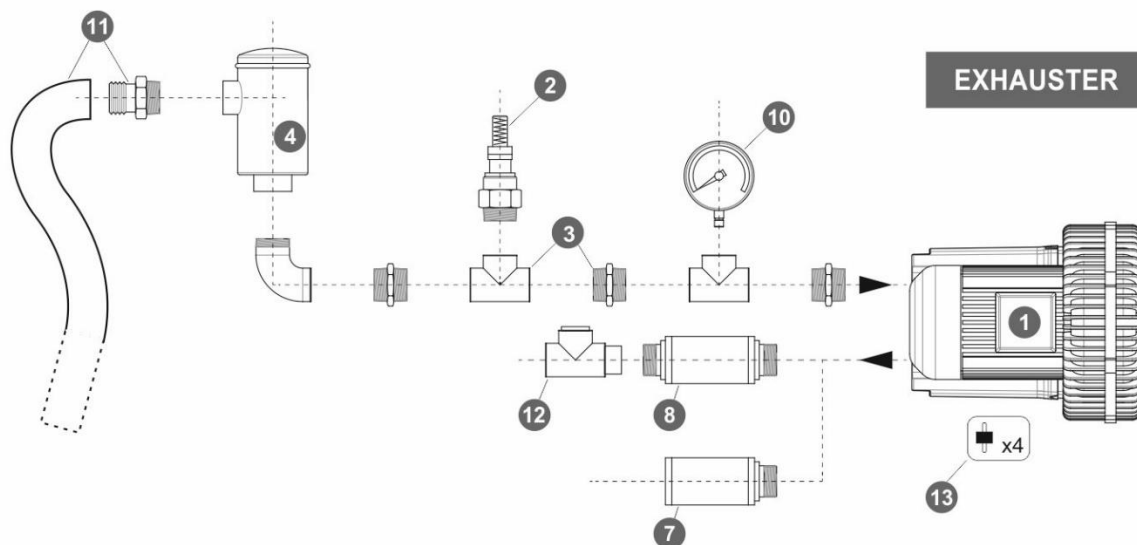


Construction of the ring blowers fans is based on the lateral ducts principle. The blowers can operate as either exhaust or compression fans and are designed for continuous service. The device is assembled directly on the motor shaft; all the rotating parts are dynamically balanced to ensure absolute absence of vibration. Full die-cast aluminum construction for maximum sturdiness and ease of handling. The characteristics data given here refer to the handling of gas with inlet temperature of 15°C, normal density of 1,23 kg/m³ and absolute pressure of 1023 mbar. Tolerance of ±10%.

Model	Freq. [Hz]	Power [kW]	Voltage [V]		Rated Current [A]		Max Airflow [m ³ /h]	Rated VACUUM [mbar]	Rated COMPRESSOR [mbar]	Noise [dB A]	Weight [kg]
			Δ	Y	Δ	Y					
BL03000100500	50	0.55	200÷240	345÷415	2.8	1.6	100	-110	120	55	11
	60	0.63	220÷275	380÷480	3.0	1.7	120	-110	120	57	
BL030001M0500	50	0.55	200÷240		3.7		95	-120	130	57	13
	60	0.62			4.9		110	-120	130	60	



MODEL	A	B	C	D	E	F	G	H	J	K	L	M	N	O	P	Q	ØR	S	U	(1~)		(3~)	
																				V	V'	V1	V1'
BL03000100500	268	272	93	205	230	260	92	141	101	83	108	82	69	41	G 1/4	64	10	3	M6x17			M25x1.5	M16x1.5
BL030001M0500																				M25x1.5	M16x1.5		



Ref. #	Description	Code
1	Side Channel Blower – Single Impeller / Single Stage – 1” ¹ / ₄ connection	BL 030 001_
2	Safety Valve	BLSV032AL03
3	Installation kit safety valve	BLKS032032C
4	In-Line filter	Paper Polyester Stainless Steel 30 μ Stainless Steel 60 μ
5	Cartridge filter	BLCF032PA007
6	Filter kit	Nipple Socket
7	Final Silencer	BLFS032ZP - BLFS032ZPR
8	In-Line silencer	BLIS032
9	Indoor filter	BLIF032ZP100
10	Gauge	Pressure Vacuum
11	Sleeve + Hose clip kit	BLSH032
12	Check valve	BLCV032AL
13	Anti-vibration pins	BLAV06

