

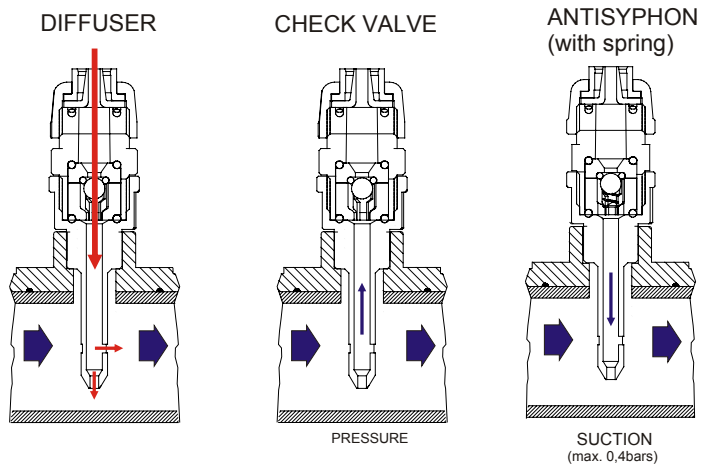
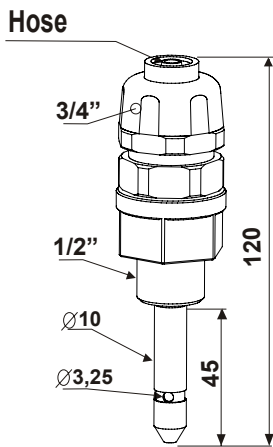
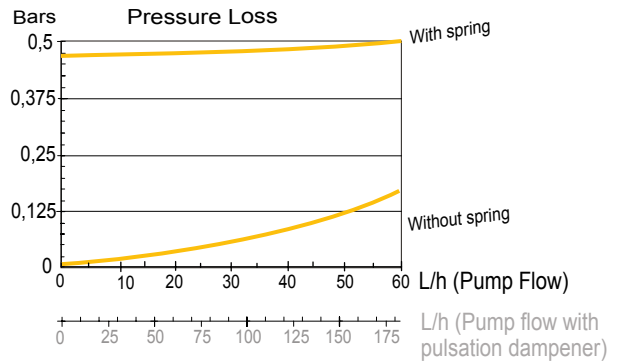
INJECTION VALVE L 3/4" 4-6-10

ACC057

INJECTION VALVE L

Technical features

Max. flow:	60 l/h
Thread connection:	3/4"
Pipe connection :	1/2"
Hose connection:	10x12
(Øin x Øout mm)	



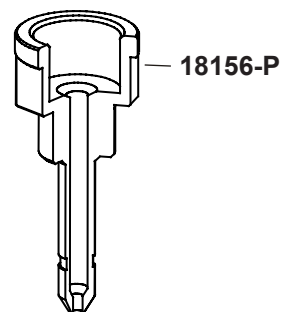
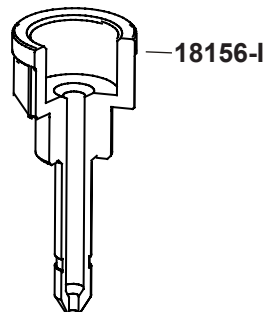
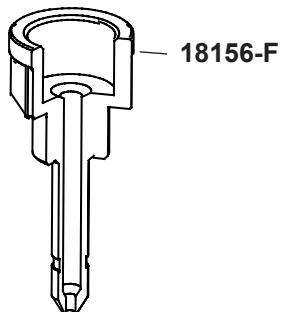
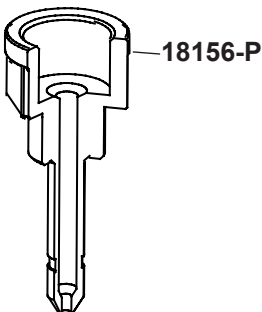
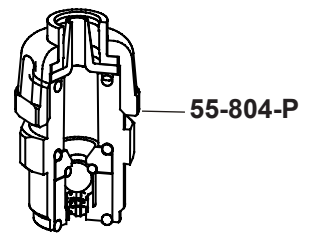
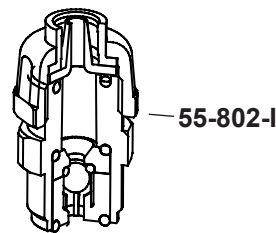
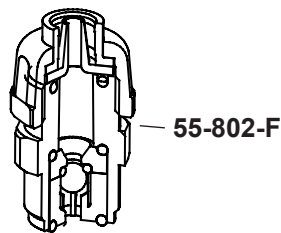
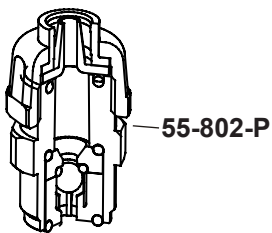
LIST OF PARTS

Polypropylene
18-882-P

PVDF
18-882-F

AISI 316
18-882-I



Polypropylene with spring
18-883-P



INJECTION VALVE L 3/4" 4-6-10

ACC057

VALVE CONNECTION

Max. flow	60 l/h
Hose	10x12
Flanges	 60877.1-P
Spikes	 55829-P

