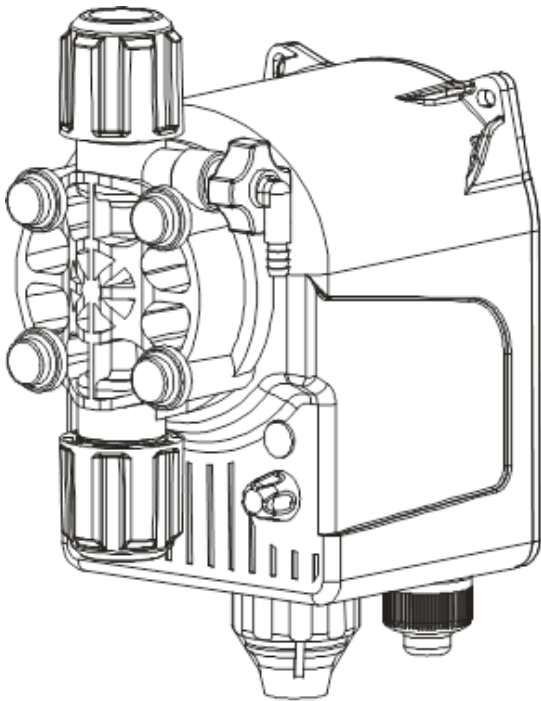


# DOSING PUMP

## INVIKTA SERIES – Solenoid Dosing Pump



### Technical characteristics



- Flow rates: from 0.2 to 5 l/h
- Max Pressure: up to 7 bar (101.5 psi)
- Power supply:
  - 230 Vac 50/60 Hz
  - 24 Vac on request
- Stroke rate: from 20 up to 160 strokes/minute
- Pump head:
  - PVDF-T
  - PVDF
- Diaphragm: PTFE
- External Enclosure: PP protection degree IP65
- Installation kit: Included
- Detergent & Rinse installation kit: On request

Seko Invikta Series is a simple solenoid dosing pump, operating with a micro-processor to manage the dosing. Thanks to its small dimension and simple shape, this pump is ideal for application as: OEM's, Swimming pool, Car Wash, Cooling Towers, RO System and so on.

Its external enclosure has an IP55, which guarantees a protection versus splashing water and aggressive environments.

Invikta pump has a LED, which shows the state of the operation:

- Continuous flash when is working properly
- Slow flash when the pump is stopped

The pump head has a manual priming valve and the flow rate is manually adjustable from 0 (pump stop) to 100% of the max flow rate.

The power supply is 230 Vac (standard) and 24 Vac (on request).

The pump can be fixed directly on wall or by fixing brackets .

Invikta includes also the installation kit.

Kompact pump can be fixed on wall by fixing bracket provide with the pump or top of drums by the optional foot fixing bracket.

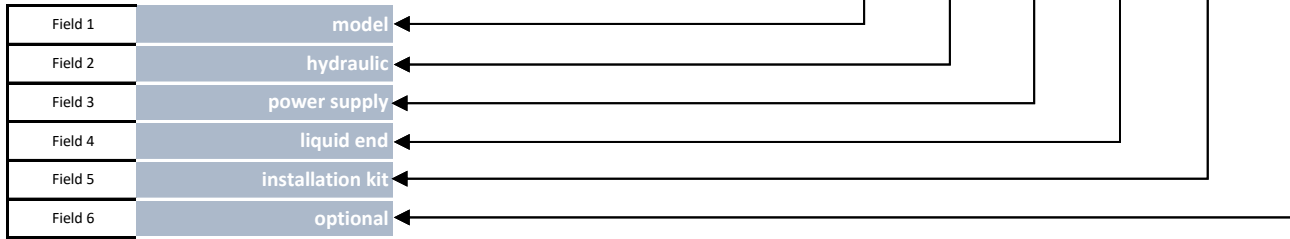
# DOSING PUMP

## INVIKTA SERIES – Solenoid Dosing Pump



### PUMP KEY CODE

Field 1	Field 2	Field 3	Field 4	Field 5	Field 6
KCS	632	A	VF	K	00



Field 1	model	
		<i>Analogic dosing pump with constant flow rate, manually adjustable</i>
	KCS	<i>standard</i>
	KCL	<i>with level probe</i>

Field 2	hydraulic	bar	l/h	
	620	1	0,2	<i>"SILENT" version - KCL only</i>
	622	1	2	<i>"SILENT" version - KCL only</i>
	630	7	0,6	<i>"LOW FLOW" version</i>
	631	2	5	
	632	7	2	
	633	5	5	

Field 3	power supply		
	A	230 Vac 50 Hz	<i>KCL only</i>
	N	100÷240 Vac 50-60 Hz	
	O	24 Vac 50-60 Hz	

Field 4	liquid end	body pump	balls	O-ring	diaphragm
	VF	PVDF-T	Ceramic	FPM	PTFE
	VE	PVDF-T		EPDM	
	HF	PVDF		FPM	

Field 5	installation kit	
	K	<i>standard</i>
	D	
	R	
	C	<i>"CAR WASH" type</i>
	S	<i>"SILENT" type - only injection valve</i>

Field 6	optional	
	00	<i>standard</i>

\* **"CAR WASH"** type is a pump specially designed for car wash application, with an innovative design of seals, and standard installation kit.

# DOSING PUMP

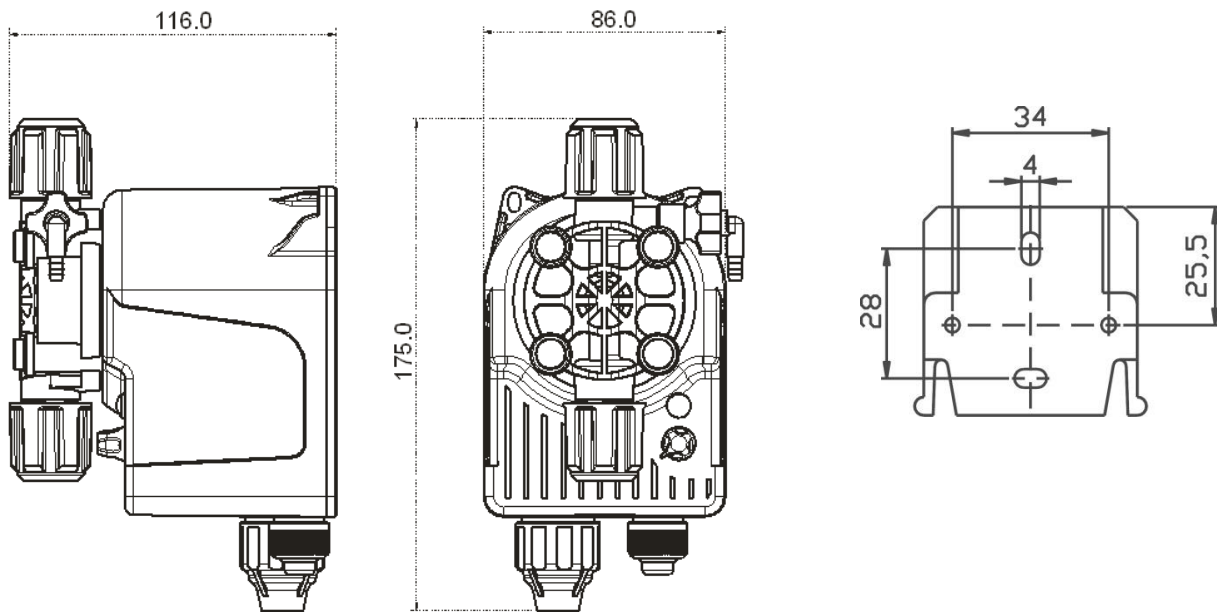
## INVIKTA SERIES – Solenoid Dosing Pump



### HYDRAULIC CHARACTERISTICS

Pump Model	Stroke/min	Flow rate		Max back pressure		Connection (in/out)	Power supply at 50 Hz
				bar	p.s.i.		
		l/h	g/l/h	PVDF-T PVDF	PVDF-T PVDF	All models	
K C L 6 2 0	20	0.2	0.05	1	14.5	4/6	230 Vac (24 Vac on request)
K C L 6 2 2	90	2	0.53	1	14.5		
K C S/L 6 3 0	100	0.6	0.17	7	101.5		
K C S/L 6 3 1	110	5	1.37	2	29		
K C S/L 6 3 2	100	2	0.53	7	101.5		
K C S/L 6 3 3	160	5	1.37	5	72.5		

### DIMENSIONS\*



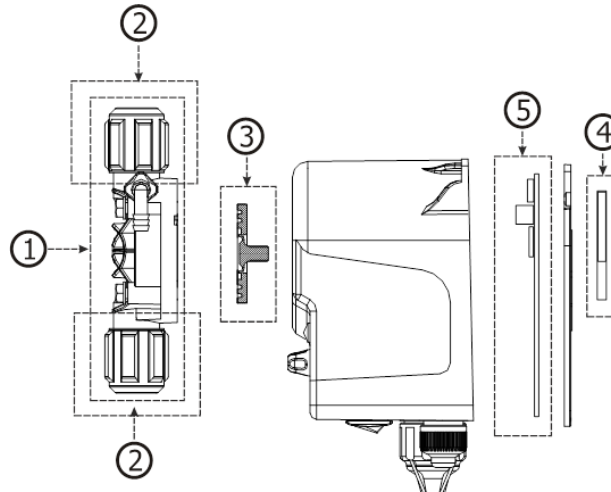
\*The dimension are the same for all models

# DOSING PUMP

## INVIKTA SERIES – Solenoid Dosing Pump



### SPARE PARTS



Ref.	Description	Model
1	Complete Pump Head ( PVDF-T, Ceramic balls). Seals made in:	FPM
		EPDM
1	Complete Pump Head (PVDF, Ceramic balls). Seals made in:	FPM
2	Valve assembly Suction + Discharge (PVDF-T / Ceramic) Seals made in:	FPM
		EPDM
2	Valve assembly Suction + Discharge (PVDF / Ceramic) Seals made in:	FPM
3	Diaphragm	all the models
4	Mounting bracket	
5	Electronic control boards	

### INSTALLATION KIT

	model	Fixing bracket	Suction tube	Delivery tube	Foot filter Injection valve
K	all				
D	631				
R	632				
C	633				
S	620				