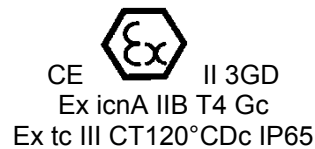


TECHNICAL CHARACTERISTICS

- Flow rates: from 0.4 to 110 l/h
- Max back pressure: up to 20 bar
- Power supply:
 - 100÷240V 50/60 Hz
- Stroke rate: from 120 to 300 strokes/minute
- Pump head:
 - SS316
 - PVDF
 - Hastelloy C276
- Diaphragm: PTFE
- External Enclosure: Aluminium
 - protection degree IP65
- Manually priming
- Installation kit: Not Included (except for PVDF)

Seko Tekna ATEX Series is a solenoid dosing pump suitable for use in areas with ATEX classification:



- constant flow rate manually adjustable
- proportional flow rate according to an external analogic (4-20 mA) or digital signal (water meter, 1:n or n:1)
- timed with a weekly timer to program at maximum 10 feed times.
- Programmable timed relay by activation of a dry contact.
- Timer function
- ppm proportional dosing
- Statisc
- Password
- Input On-Off (remote control)

Also with this pump, with only 5 sizes, is possible to cover a wide range of performances, having a flow rate range from 0.4 to 110 l/h and a back pressure from 0.1 to 20 bar. The power supply is 100÷240 Vac – 50/60 Hz therefore the same pump can operate with different supply voltage. The pump head is in PVDF, SS316 or Hastelloy C276, therefore high chemical compatibility with several liquids end.

DOSING PUMP

TEKNA ATEX SERIES – Solenoid Dosing Pump



PUMP KEY CODE

Field 1	Field 2	Field 3	Field 4	Field 5	Field 6	Field 7
TPG	500	N	H	H	2	0X0

Field 1	model	←
Field 2	hydraulics	←
Field 3	power supply	←
Field 4	liquid end	←
Field 5	installation kit	←
Field 6	seals	←
Field 7	customization	←

Field 1	model	Digital
		TPG
		TCK

Field 2	hydraulics	bar	l/h	stroke/1'	ml/stroke	tubing Ø *	consumption
500		20	0,4	120	0,06	in - 4/6 out - 4/7	-
		16	0,8		0,11		
		10	1,2		0,17		
		6	1,5		0,21		
600		20	2,5	120	0,35	in - 4/6 out - 4/7	20
		18	3		0,42		
		14	4,2		0,58		
		8	7		0,97		
603		12	4	160	0,42	in - 4/6 out - 4/6	22
		10	5		0,52		
		8	6		0,63		
		2	8		0,83		
800		16	7	300	0,39	in - 4/6 out - 4/6	36
		10	10		0,55		
		5	15		0,83		
		1	18		1,00		
803		5	20	300	1,11	in - 8/12 out - 8/12	-
		4	32		1,78		
		2	62		3,44		
		0	110		6,11		

* only PVDF version

Field 3	power supply	N 100÷240 Vac
---------	--------------	---------------

Field 4	liquid end	Body	Connections	Balls	Diaphragm
H	PVDF	PVDF	PVDF	Ceramic	PTFE
I	AISI316L			AISI316L	PTFE
C	Hastelloy C276			Hastelloy C276	PTFE

Field 5	installation kit	H PVDF <i>if FIELD 4 is H</i>
		0 NO KIT <i>if FIELD 4 is I and C</i>

Field 6	seals	2 PTFE
---------	-------	--------

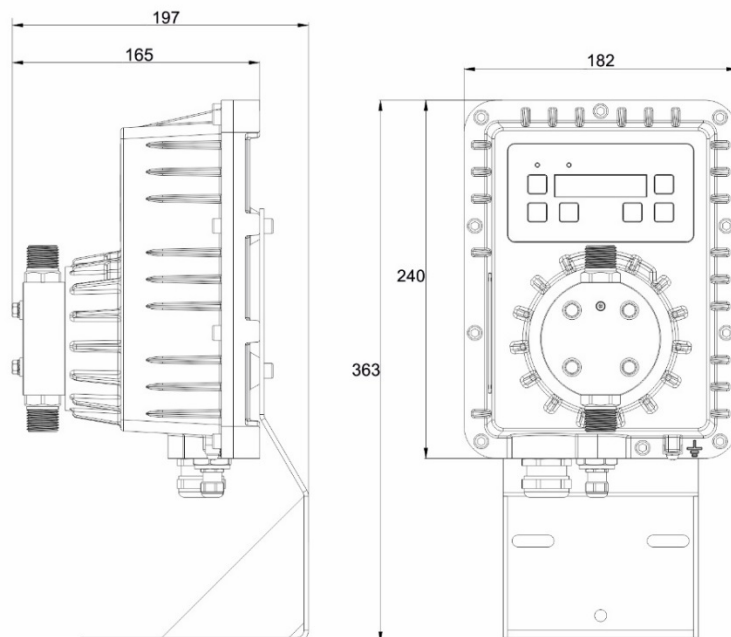
Field 7	customization	0X0 standard ATEX Area Certification
---------	---------------	--------------------------------------

HYDRAULIC CHARACTERISTICS

Pump model	Pressure [bar]	Flow Rate [l/h]	Frequency max [stroke/min]	Stroke capacity [cc/stroke]	Connection [mm]		Power supply	Consumption [W]	
					Suction	Discharge		Min	Max
TPG/TCK 500 N	20	0,4	120	0,06	4/6	4/7	100+240 Vac	-	-
	16	0,8		0,11					
	10	1,2		0,17					
	6	1,5		0,21					
TPG/TCK 600 N	20	2,5	120	0,35	4/6	4/7	100+240 Vac	14,0	20,0
	18	3,0		0,42					
	14	4,2		0,58					
	8	7,0		0,97					
TPG/TCK 603 N	12	4,0	160	0,42	4/6	4/6	100+240 Vac	15,0	22,0
	10	5,0		0,52					
	8	6,0		0,63					
	2	8,0		0,83					
TPG/TCK 800 N	16	7,0	300	0,39	4/6	4/6	100+240 Vac	22,0	36,0
	10	10,0		0,56					
	5	15,0		0,83					
	1	18,0		1,00					
TPG/TCK 803 N	5	20,0	300	1,11	8/12	8/12	100+240 Vac	-	-
	4	32,0		1,78					
	2	62,0		3,44					
	0	110,0		6,11					

The Pressure Data in the table refer to the measured parameters on the plant, including the use of SEKO STANDARD injection fitting.
 *Minimum consumption at 0 bar of back pressure (Patented)

DIMENSIONS



DOSING PUMP

TEKNA ATEX SERIES – Solenoid Dosing Pump

