

## Operating instructions

### Nozzle

Create Flow

+420 722 712 652

[info@createflow.cz](mailto:info@createflow.cz)

[www.createflow.cz](http://www.createflow.cz)

Polypropylene



PVDF



## 1) General Safety instructions

The operator must read the Operating instructions before starting the nozzle and follow these instructions during operation. Failure to follow the safety instructions may lead to serious injury or death.

- Do not point the nozzle at persons
- Ensure that all connections and fittings are properly tightened
- The operator must wear suitable protective clothing
- Ensure that the nozzle-material is resistant to the liquid to be pumped.
- Regularly check visually the outer condition of the nozzle.
- The national accident prevention regulations must be observed without fail.

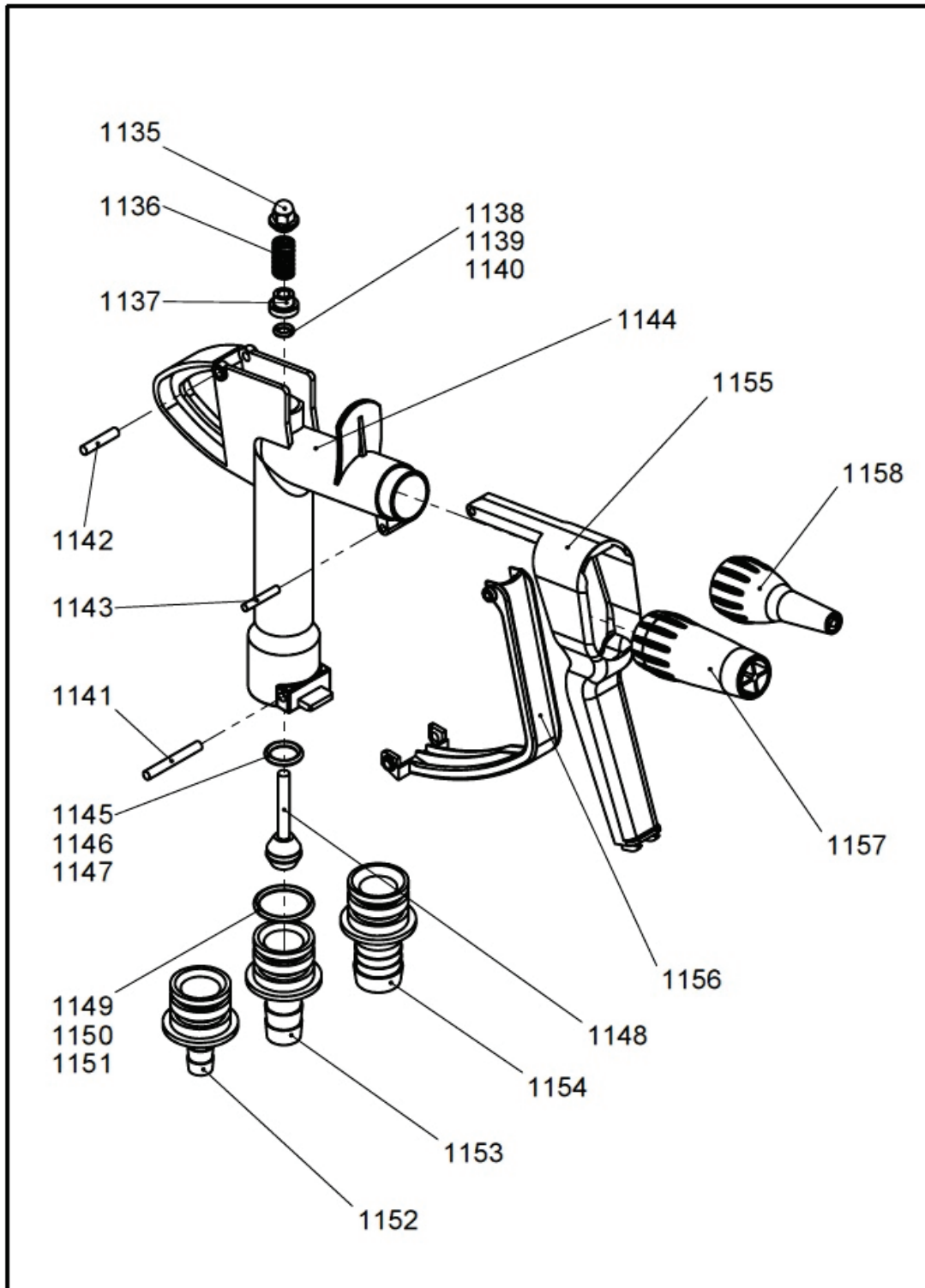
## 2) Proper use

- Nozzles allow a comfortable manually operated filling of neutral and aggressive liquids, however, NOT suitable for flammable liquids.
- The flowrate can be adjusted by pressing sensitively the valve lever.
- No solids or abrasive liquids must be filled.
- Never leave the nozzle unattended, as it does not switch-off automatically.
- The maximum operating pressure must not be exceeded. Make sure that there will be no over-pressure in the container.
- Fill carefully and at an appropriate speed to avoid a spurt-out of the liquid.
- After the filling, allow the nozzle to drip-off. There may be still liquid in the discharge pipe.
- Note the limit values for operating temperature, viscosity and density of the liquid to be pumped.
- Install appropriate splash-guards for open drums or containers.
- Do not mechanically overstress the swivel-joint. The nozzle with swivel joint is not suited for pulling the flexible hose. Check swivel-joint for tightness at each operation.
- Do not expose the nozzle to the weather.

## 3) Repairs

- Depressurise the system
- Separate the pum from current
- Empty hose and nozzle
- Always replace defective parts
- Only use JESSBERGER genuine spare parts.


### 3. Spare part drawing Nozzle PP



#### 4. Spare part list Nozzle PP

Menge	Artikel Nr.:	Bezeichnung	Description
1	1135	Hutmutter	Cap nut
1	1136	Druckfeder	Pressure spring
1	1137	Dichtungsträger	Seal carrier
1	1138	O-Ring (FKM)	O-Ring (FKM)
1	1139	O-Ring (EPDM wahlweise)	O-Ring (EPDM optional)
1	1140	O-Ring (FFKM wahlweise)	O-Ring (FFKM optional)
1	1141	Kerbstift Ø 5x40	Grooved pin Ø 5x40
1	1142	Kerbstift Ø 5x25	Grooved pin Ø 5x25
1	1143	Kerbstift Ø 4x25	Grooved pin Ø 4x25
1	1144	Gehäuse PP	Housing PP
1	1145	O-Ring (FKM)	O-Ring (FKM)
1	1146	O-Ring (EPDM wahlweise)	O-Ring (EPDM optional)
1	1147	O-Ring (FFKM wahlweise)	O-Ring (FFKM optional)
1	1148	Ventilstange	Valve rod
1	1149	O-Ring (FKM)	O-Ring (FKM)
1	1150	O-Ring (EPDM wahlweise)	O-Ring (EPDM optional)
1	1151	O-Ring (FFKM wahlweise)	O-Ring (FFKM optional)
1	1152	Schlauchstecker DN13	Hose connector DN13
1	1153	Schlauchstecker DN19	Hose connector DN19
1	1154	Schlauchstecker DN25	Hose connector DN25
1	1155	Handhebel	Lever
1	1156	Bügel	Safety handle
1	1157	Tülle Ø20	Nozzle Ø20
1	1158	Tülle Ø9	Nozzle Ø9

 <p>Dr. Jessberger GmbH Jägerweg 5 - D-85521 Ottobrunn</p> <p>fon: +49(0)89/66 66 33 400 fax: +49(0)89/66 66 33 411 info@jesspumpen.de</p>	Benennung	Rev. Stand State of Art
	Ersatzteilliste Zapfpistole PP	
Description		
Spare Parts List Nozzle PP		

## 6. Spare part list Nozzle PVDF

Menge	Artikel Nr.:	Bezeichnung	Description
1	1136	Druckfeder	Pressure spring
1	1138	O-Ring (FKM)	O-Ring (FKM)
1	1139	O-Ring (EPDM wahlweise)	O-Ring (EPDM optional)
1	1140	O-Ring (FFKM wahlweise)	O-Ring (FFKM optional)
1	1141	Kerbstift Ø 5x40	Grooved pin Ø 5x40
1	1142	Kerbstift Ø 5x25	Grooved pin Ø 5x25
1	1143	Kerbstift Ø 4x25	Grooved pin Ø 4x25
1	1145	O-Ring (FKM)	O-Ring (FKM)
1	1146	O-Ring (EPDM wahlweise)	O-Ring (EPDM optional)
1	1147	O-Ring (FFKM wahlweise)	O-Ring (FFKM optional)
1	1149	O-Ring (FKM)	O-Ring (FKM)
1	1150	O-Ring (EPDM wahlweise)	O-Ring (EPDM optional)
1	1151	O-Ring (FFKM wahlweise)	O-Ring (FFKM optional)
1	1155	Handhebel	Lever
1	1156	Bügel	Safety handle
1	1159	Hutmutter	Cap nut
1	1160	Dichtungsträger	Seal carrier
1	1161	Gehäuse PVDF	Housing PVDF
1	1162	Ventilstange	Valve rod
1	1163	Schlauchstecker DN13	Hose connector DN13
1	1164	Schlauchstecker DN19	Hose connector DN19
1	1165	Schlauchstecker DN25	Hose connector DN25
1	1166	Tülle Ø20	Nozzle Ø20
1	1167	Tülle Ø9	Nozzle Ø9

<b>JESSBERGER</b> pumps and systems Dr. Jessberger GmbH Jägerweg 5 - D-85521 Ottobrunn fon: +49(0)89/66 66 33 400 fax: +49(0)89/66 66 33 411 info@jesspumpen.de	Benennung <b>Ersatzteilliste Zapfpistole PVDF</b>	Rev. Stand State of Art 06-2013
	Description <b>Spare Parts List Nozzle PVDF</b>	