

### SPECIFICATIONS:

**MODEL NUMBER:** 2088-592-144

**PUMP DESIGN:** Positive Displacement 3 Chamber Diaphragm Pump

**CHECK VALVE:** (1-Way Operation) Prevents Reverse Flow

**CAM:** 2.5 Degree

**MOTOR:** Permanent Magnet, P/N 11-160-00, Thermally Protected

**VOLTAGE:** 230 VAC Nominal

**PRESSURE SWITCH:** Adjustable from 30-50 PSI. Factory Set @ 45 PSI Shut-Off,  
Turn On 25 ±5 PSI

**LIQUID TEMPERATURE:** 130 Degrees Fahrenheit (54 Degrees Centigrade) Max.

**PRIME:** Self-Priming Up To 8.5 Ft. Vertical,  
Max. Inlet Pressure 30 PSI (2.1 Bar)

**PORTS:** 1/2" - 14 Male Parallel Thread

**MATERIAL OF CONSTRUCTION:**

**PLASTICS-** Polypropylene

**VALVES-** Santoprene

**DIAPHRAGM-** Santoprene

**FASTENERS-** Zinc Plated Steel

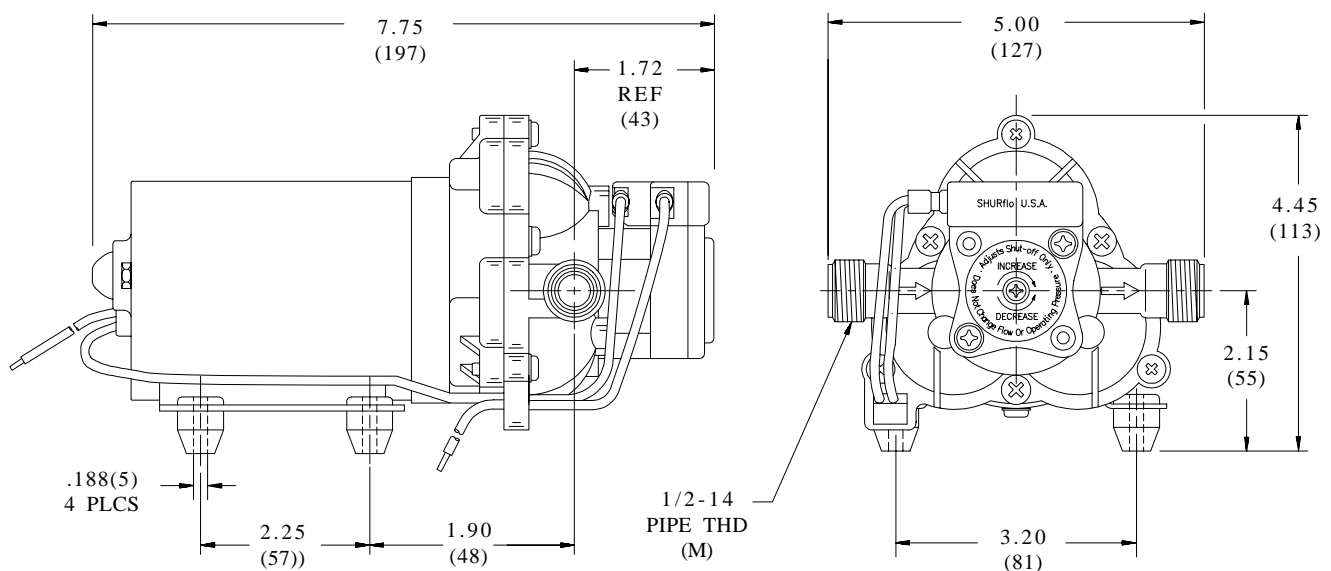
**NET WEIGHT:** 4.0 Lbs (1.8 Kg)

**DUTY CYCLE:** Intermittent (See Temp. Rise Chart)

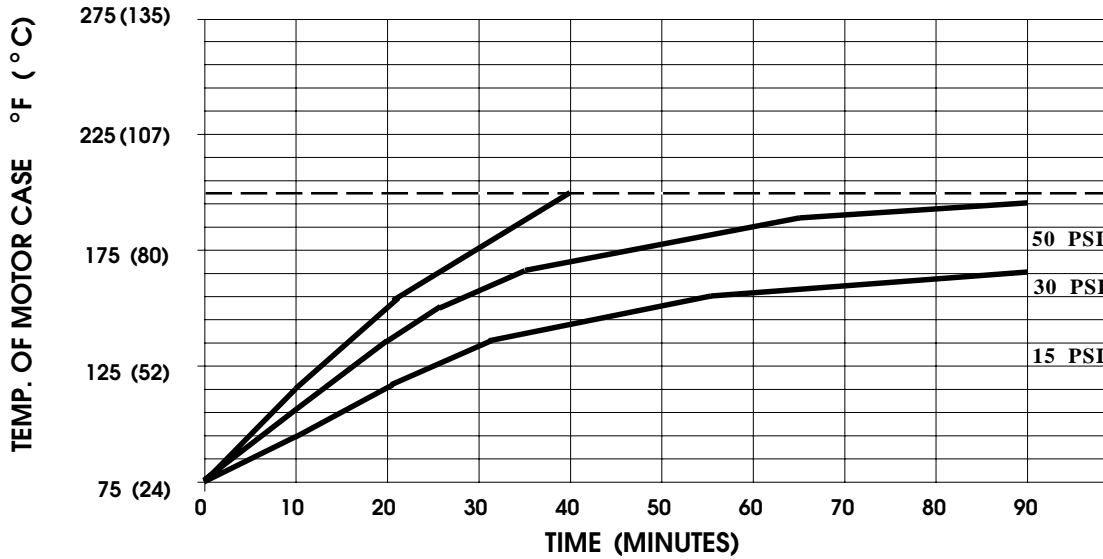
**TYPICAL APPLICATIONS:** Water Delivery

**APPROVALS:** N.S.F. Listed, UL approval

### DIMENSIONS:



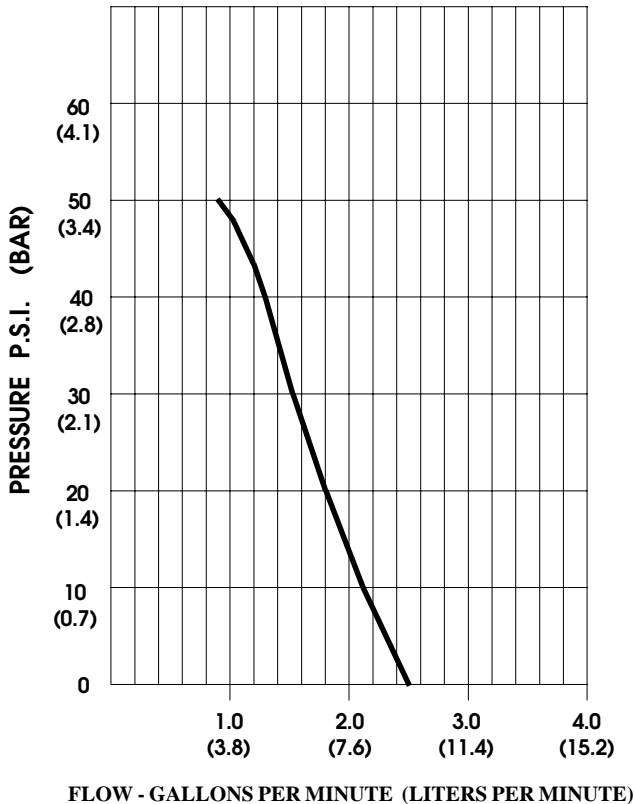
**TEMPERATURE RISE**



THIS GRAPH IS FOR USE AS A DESIGN GUIDE. IT IS BASED ON RUNNING CONTINUOUSLY WITH AN AMBIENT TEMPERATURE OF 75° F IN STILL AIR. THE THERMAL BREAKER WILL OPEN WHEN THE CASE TEMPERATURE REACHES 200° F.

(----- TRIP POINT OF THERMAL PROTECTOR)

**TYPICAL PERFORMANCE**



PRESSURE (PSI)	FLOW (GPM/LIT)	RPM MIN/MAX	CURRENT (AMPS)	VOLTAGE (VOLTS)
OPEN	2.50/9.5	1955/2065	0.22	230 VAC
10	2.11/8.0	1845/1940	0.24	"
20	1.80/6.8	1635/1735	0.30	"
30	1.50/5.7	1400/1550	0.33	"
40	1.25/4.7	1270/1430	0.37	"
50	0.95/3.6	1080/1340	0.42	"

*-SPECIFICATIONS SUBJECT TO CHANGE WITHOUT NOTICE.  
-ALL DATA BASED ON TESTING WITH WATER.*