

FOOT VALVE L 3/4 4-6-10 WITH FILTER

AC016

FOOT VALVE L 3/4 4-6-10 WITH PP FILTER

Technical features

Max. Flow: 60 l/h

Thread connection: 3/4"

Hose connection: 4x6 / 6x8 / 6x12 / 10x12 (Øin x Øout mm)

Material: PP/FPM/ Borosilicate

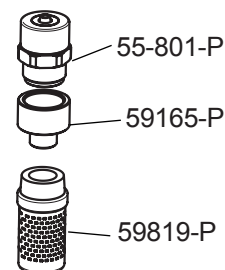
List of parts

18-842-P Foot valve 4-6-10 with PP filter

55-801-P Discharge check valve 3/4 PP

59165-P Adapter 3/4 - 3/8 PP

59819-P Foot check valve 3/8" PP



FOOT VALVE L 3/4 4-6-10 WITH PVDF FILTER

Technical features

Max. Flow: 60 l/h

Thread connection: 3/4"

Hose connection: 4x6 / 6x8 / 6x12 / 10x12 (Øin x Øout mm)

Material: PVDF/FPM/ Borosilicate

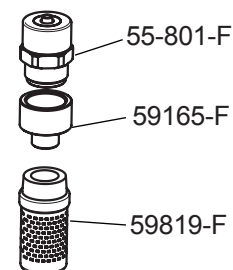
List of parts

18-842-F Foot valve 4-6-10 with PVDF filter

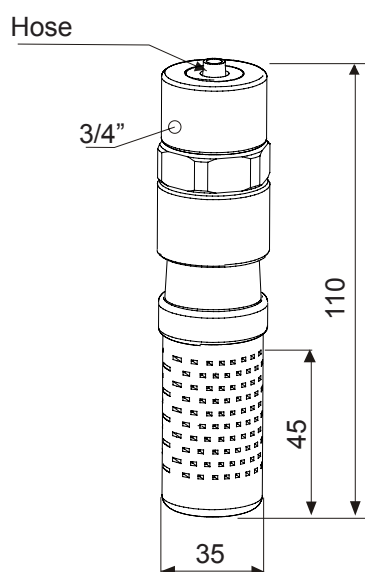
55-801-F Discharge check valve 3/4 PVDF

59165-F Adapter 3/4 - 3/8 PVDF

59819-F Foot check valve 3/8" PVDF



DIMENSIONS



Max. flow	4 l/h	13 l/h		60 l/h
Hose	4x6	6x8	6x12	10x12
Flanges	55826-P	60878.1-P	60877.1-P	
Spikes	55825-P	55827-P	55829-P	

