



## Technical Specifications

**Package Includes:**..... Motor, Pump Tube, Hose, Storage Bracket, Barrel Adapter & Hand Nozzle

**Motor Type:**..... TEFC (IP54)

**Pump Tube Material:**..... PVDF, Hastelloy C-276, Carbon Graphite

**Immersion Length:**..... 39" (1000 mm) or 47" (1200 mm)

**Discharge Hose:** ..... Modified Cross-Link Polyethylene, 6 ft (1,8 m), 1" (25 mm) I.D.

**Hand Nozzle Material:** ..... PVDF, Viton

**Maximum Flow Rate:**..... 15 GPM (57 LPM) based on water

**Maximum Viscosity:**..... 1500 cps (mPas)

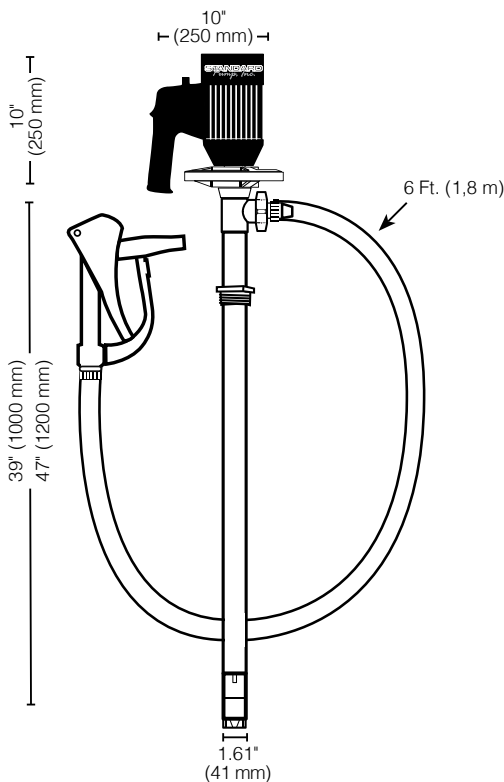
**Maximum Temperature:** ..... 175° F (80° C)

**Shipping Weight:**..... 30 lbs. (13,60 kg)

RECOGNIZED COMPONENT



Intertek



## DRUMS

| Package P/N | Motor      | Volts | Pump Tube  |
|-------------|------------|-------|------------|
| 9420        | SP-ENC-V   | 110V  | SP-PVDF-39 |
| 9421        | SP-ENC-2-V | 220V  | SP-PVDF-39 |

## TANKS

| Package P/N | Motor      | Volts | Pump Tube  |
|-------------|------------|-------|------------|
| 9422        | SP-ENC-V   | 110V  | SP-PVDF-47 |
| 9423        | SP-ENC-2-V | 220V  | SP-PVDF-47 |



**Warning:** This pump is not suitable for use with Flammable/Combustible liquids.

\*Note: When pumping viscosities over 1,000 cps, pump must be used intermittently to avoid potential premature failure and/or damage.