



## DESCRIPTION

- Turbine water meter for potable cold and warm water. Equipped with a pulse
- output – reed switch type. Designed for specific applications such as water treatment and dosing systems. Not suitable for billing purposes.

KEY CODE		Field 1	Field 2	Field 3	Field 4	Field 5	Field 6	Field 7
		WM	F	050	H	0	A	0
Field 1	family							
Field 2	fittings							
Field 3	dimension							
Field 4	water							
Field 5	type							
Field 6	pulse							
Field 7	customization							
Field 1	family	WM Water Meter						
Field 2	fittings	T Threaded F Flanged						
Field 3	dimension	013 1/2" 020 3/4" 025 1" Threaded 030 1 1/4" 040 1 1/2" 050 2" 050 2" 065 2 1/2" 080 3" Flanged 100 4" 150 6"						
Field 4	water			T° MAX threaded		T° MAX flanged		
		C	Cold	50° C		50° C		
		H	Hot	90° C		90° C		
Field 5	type	0 Water Meter 1 Water Meter + Pulse Sender						
Field 6	pulse	0 0 A 1 Pulse / liter (ONLY for <b>threaded</b> version) D 4 O 10 Liter / pulse I 100 Liter / pulse (ONLY for <b>flanged</b> version) L 1000						
Field 7	customization	0 standard						

## TECHNICAL FEATURES

### REED SWITCH TECHNICAL DATA

MAX CONTACT RATING	1,0 (VA)
MAX SWITCHING CURRENT	0,1 (A)
MAX CARRYING CURRENT	0,3 (A)
MAX SWITCHING VOLTAGE	150min (VDC)
WIRE DIAMETER	4 (mm)
WIRE LENGTH	3 (mt)
WORKING TEMPERATURE	-20/+100 (°C)

SUPPLY VOLTAGE	24 (V) 100 (Ma)
CLOSURE	<= 20 (m/s)
PROTECTION RESISTANCE	100 (Ohm)
WIRE LENGTH	3 (mt)
PROTECTION CLASS	IP64
TEMPERATURE RANGE	-10 / +90 °C

## THREADED WATER METER

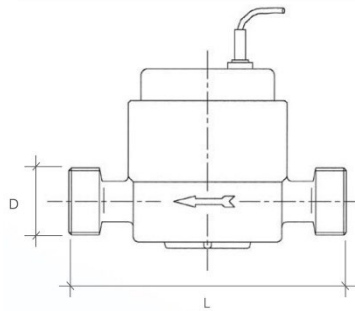
PULSE FREQUENCY RANGE	SIZE	(mm)	13	20	25	30	40	50
		(inch)	1/2"	3/4"	1"	1"1/4	1"1/2	2"
K - FACTOR	pulses/liter	liters/pulse	1-4	1-4	1-4	1-4	1-4	1-4
		liters/pulse	-	10	10	10	10	10

## FLANGED WATER METER

PULSE FREQUENCY RANGE	SIZE	(mm)	DN 50	DN 65	DN 80	DN 100	DN 150
		(inch)	2"	2"1/2	3"	4"	6"
K - FACTOR	liters/pulse	100	100	100	100-1000	1000	

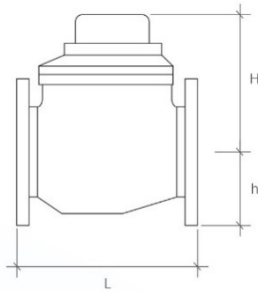
## DIMENSIONS

### Threaded Model



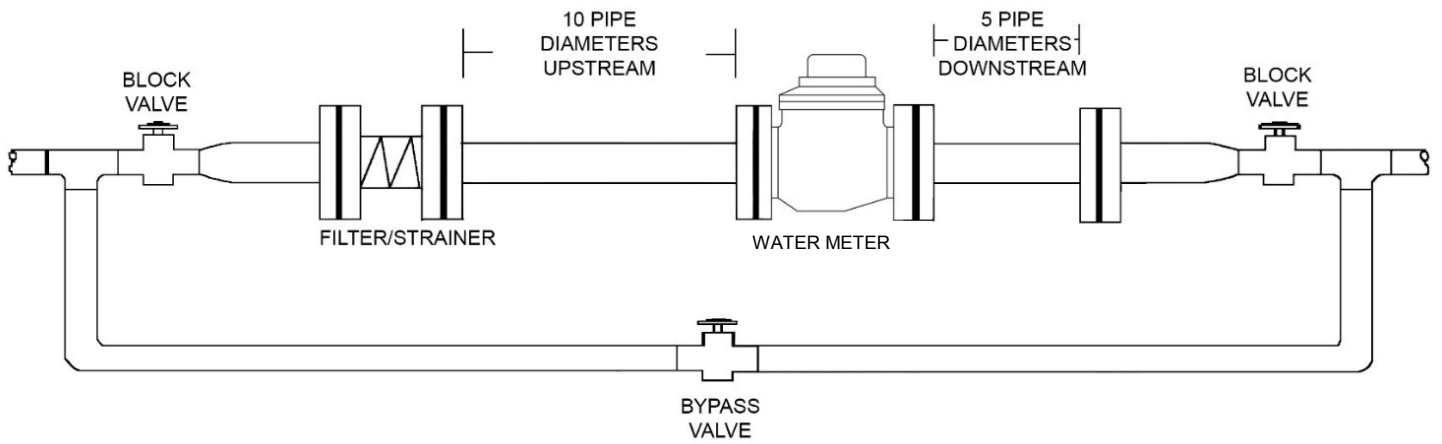
SIZE	(mm)	13	20	25	30	40	50*
	(inch)	1/2"	3/4"	1"	1"1/4	1"1/2	2"
L (mm)		110	130	160	160	200	300
D (inch)		3/4"	1"	1"1/4	1"1/2	2"	2"1/2
TOTAL LENGTH OF CONNECTORS (mm)		80	100	100	120	140	160

### Flanged Model

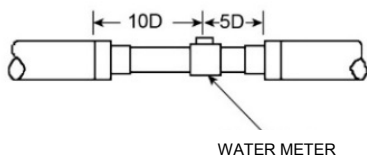


SIZE	(mm)	50	65	80	100	150
	(inch)	2"	2"1/2	3"	4"	6"
L (mm)		200	200	225	250	300
H (mm)		125	126	172	172	172
h (mm)		75	83	95	105	135

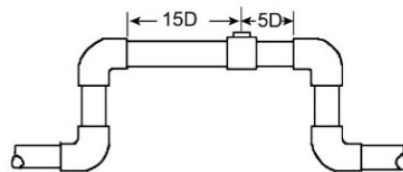
# INSTALLATION RECOMMENDATIONS



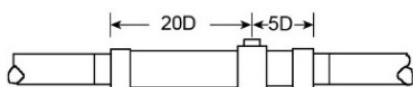
A. Reduced Pipe



B. Two Elbows, In plane



C. Expanded Pipe



D. Two Elbows, out of plane

