

PW Series

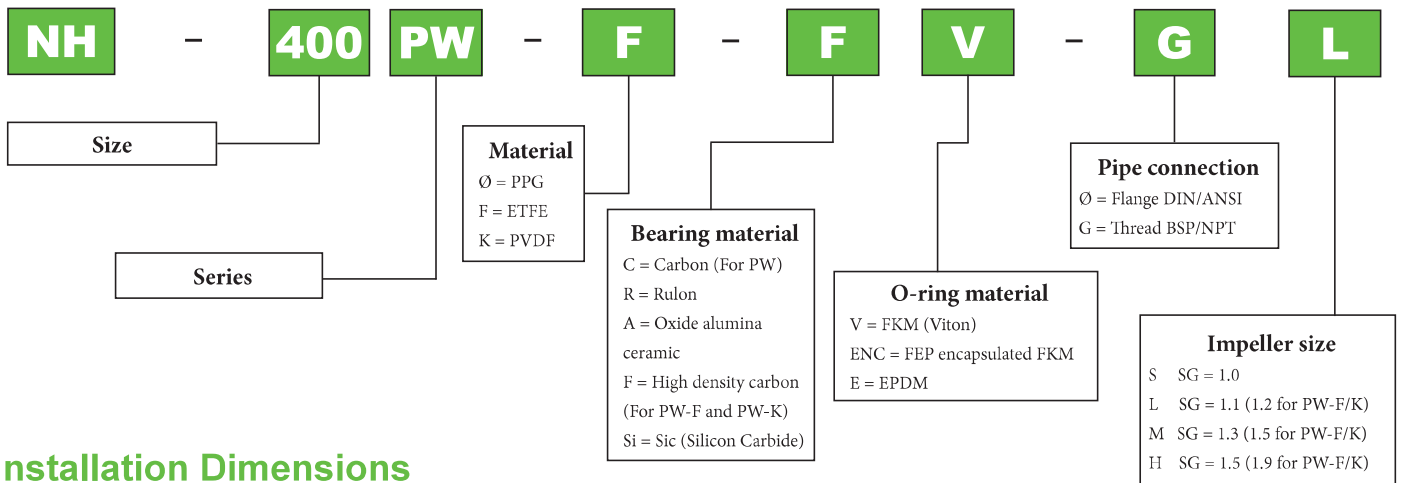


Industrial pump for chemicals, with possibility of Atex certification for ETFE models. For industrial use general, chemical process, tanks loading and unloading, absorption towers...

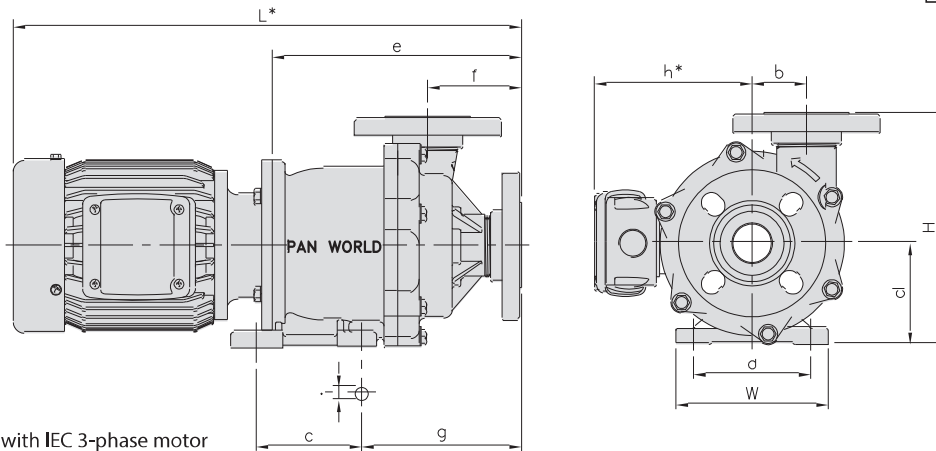
- Construction materials: PPG, PVDF or ETFE
- Connections: Threaded NPT or BSP, DIN or ANSI Flanges
- Flow rate (50Hz) up to 1400 L/min and total discharge head of 34 m.



Ordering Information



Installation Dimensions



* Standard dimensions with IEC 3-phase motor

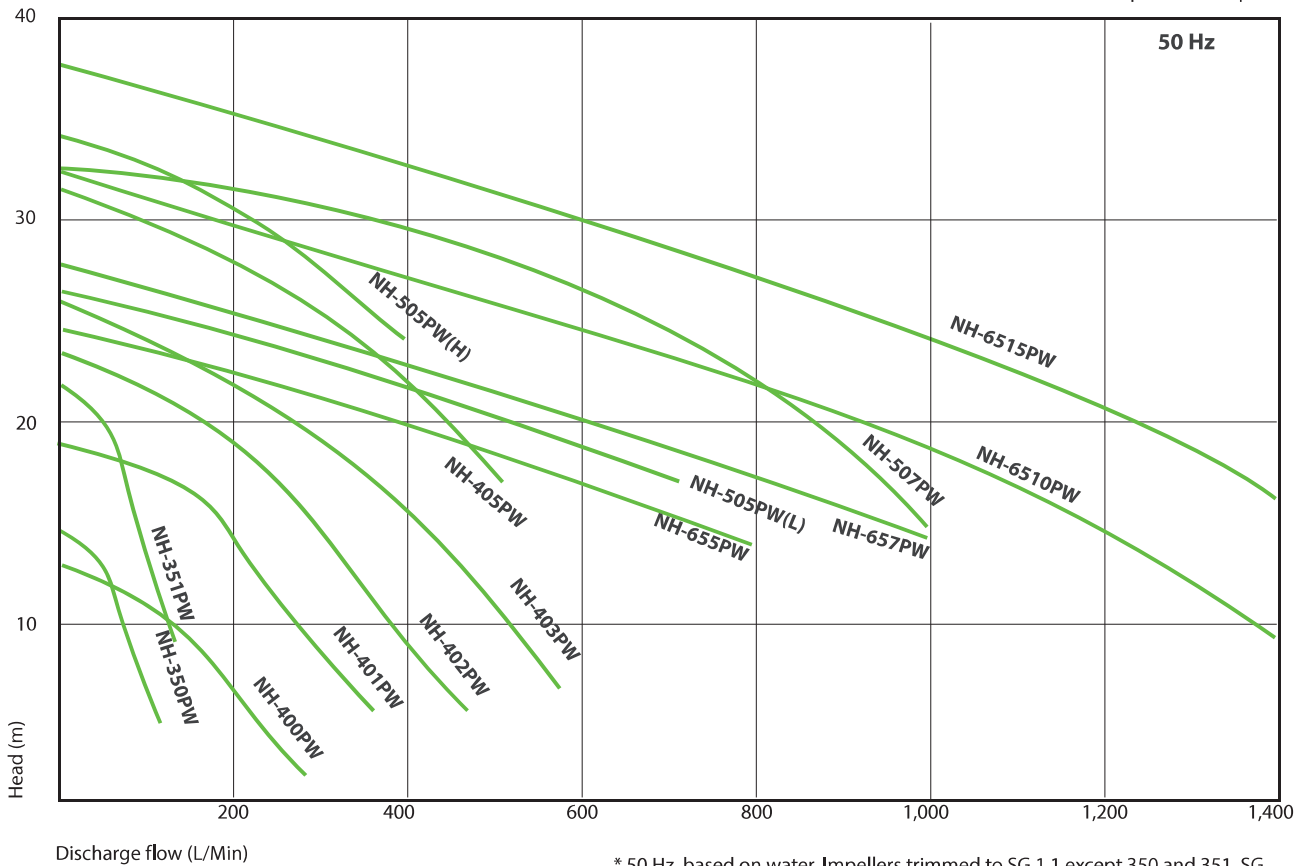
(mm)

Model	W	H	L*	a	b	c	d	e	f	g	h*	i
NH-350PW	157	248	466	130	76	130	115	226	82	155	146	12
NH-351PW	160	248	463	130	76	130	115	230	82	164	152	12
NH-352PW	160	242	506	130	57	132	120	223	78	155	149	12
NH-353PW	160	242	506	130	57	132	120	223	78	155	149	12
NH-400PW	140	216	473	110	51	98	95	233	87	150	151	12
NH-401PW	160	254	488	130	58	130	115	256	103	184	160	12
NH-402PW	260	255	620	208	65	200	115	305	89	158	176	14
NH-403PW	260	255	620	208	65	200	115	305	89	158	176	14
NH-405PW	260	270	689	208	65	200	130	326	89	158	208	14
NH-505PW	260	319	651	220	60	300	162	288	90	123	208	14
NH-507PW	260	319	677	220	60	300	162	312	90	123	252	14
NH-655PW	260	360	723	210	85	270	175	360	118	240	208	14
NH-657PW	260	360	745	210	85	270	175	380	118	240	252	14
NH-6510PW	260	360	745	210	85	270	175	380	118	240	252	14
NH-6515PW	350	385	919	300	85	270	200	409	118	240	285	14

PW Series

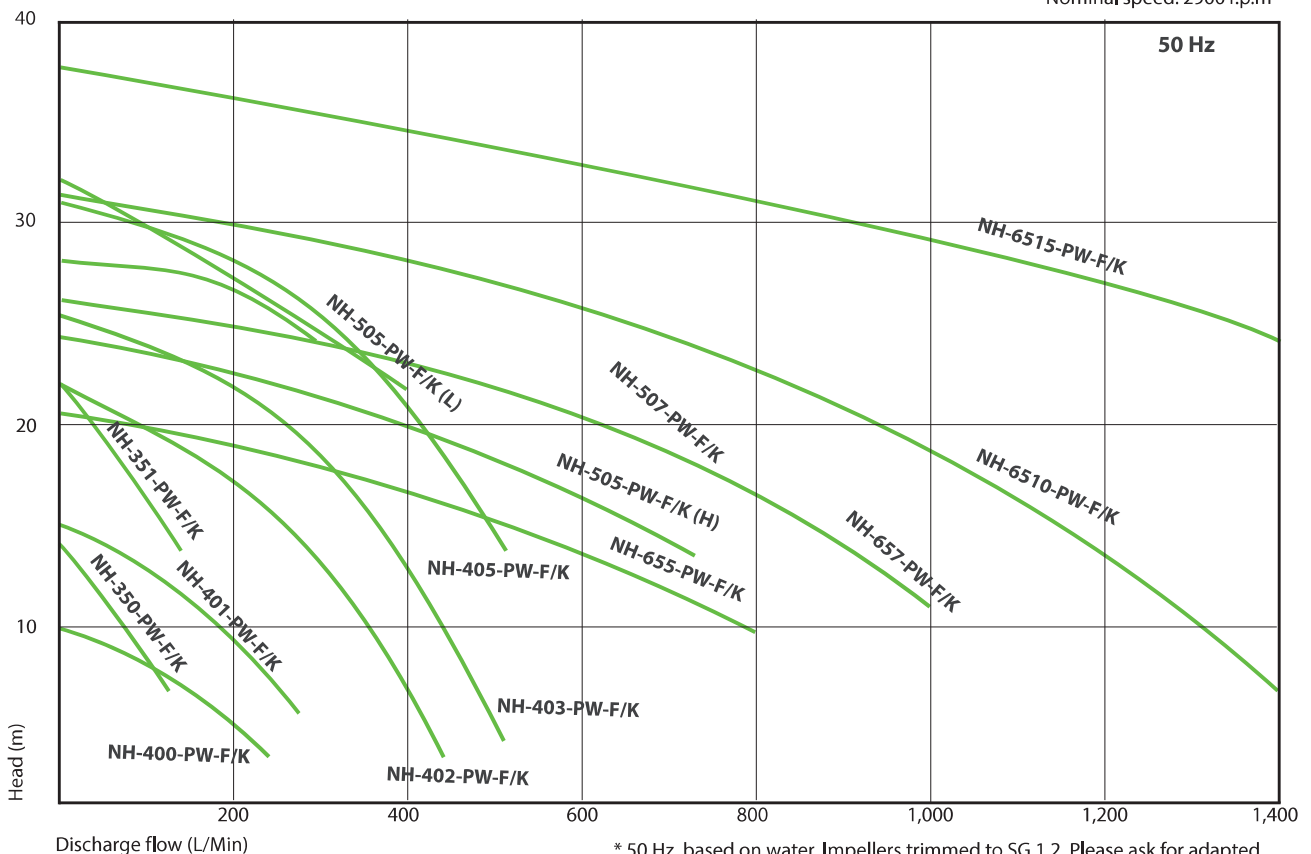
PW Performance curve

Nominal speed: 2900 r.p.m



PW-K / PW-F Performance curve

Nominal speed: 2900 r.p.m



PW Series

PW Specification table

Model	Connection method		Performance 50 Hz (3000 rpm)			Motor output	Net weight with motor
	in x outlet	in x outlet	Max head	Max flow	Specific gravity		
	flange (mm)	thread (inch)	m	l/min	(**)	kW	Kg
NH-350PW	25 x 25	G1 x 1	15	125	1.0	0,37	14
NH-351PW	25 x 25	G1 x 1	23	135	1.0	0,75	20
NH-352PW	32 x 32	G1 1/4 x 1 1/4	30	180	1.0	1,5	34
NH-353PW	32 x 32	G1 1/4 x 1 1/4	34	240	1.0	2,2	37
NH-400PW	40 x 40	G1 1/2 x 1 1/2	11	160	1.1	0,37	14
NH-401PW	40 x 40	G1 1/2 x 1 1/2	17	360	1.1	0,75	23
NH-402PW	50 x 40	G2 x 1 1/2	23	480	1.1	1,5	37
NH-403PW	50 x 40	G2 x 1 1/2	26	530	1.1	2,2	39
NH-405PW	50 x 40	G2 x 1 1/2	32	510	1.1	4,0	57
NH-505PW	65 x 50	G2 1/2 x 2	27	700	1.1	4,0	58
NH-507PW	65 x 50	G2 1/2 x 2	32	950	1.1	5,5	77
NH-655PW	80 x 65	23	800	1.1	4,0	75
NH-657PW	80 x 65	27	1000	1.1	5,5	90
NH-6510PW	80 x 65	32	1400	1.1	7,5	109
NH-6515PW	80 x 65	37	1400	1.1	11,0	137

(*) IEC aluminium motor

(**) Impellers trimmed to SG 1.1 (except 350 to 353, SG 1.0).

PW-F/K Specification table

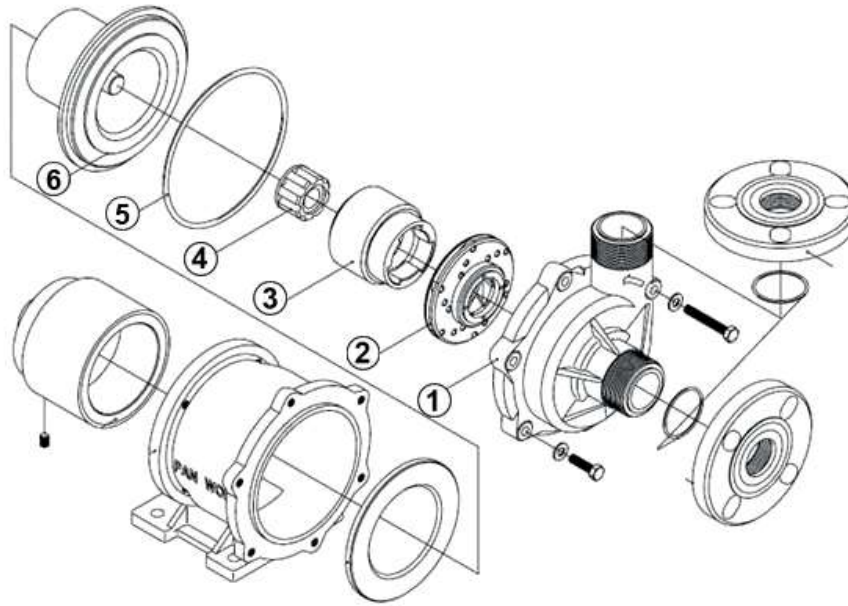
Model	Connection method		Performance 50 Hz (3000 rpm)			Motor output	Net weight with motor
	in x outlet	in x outlet	Max head	Max flow	Specific gravity		
	flange (mm)	thread (inch)	m	l/min	(**)	kW	Kg
NH-350PW-F / PW-K	25 x 25	G1 x 1	14	130	1.2	0,37	14
NH-351PW-F / PW-K	25 x 25	G1 x 1	22	110	1.2	0,75	20
NH-352PW-F / PW-K	32 x 32	G1 1/4 x 1 1/4	27	220	1.2	1,5	34
NH-353PW-F / PW-K	32 x 32	G1 1/4 x 1 1/4	30	265	1.2	2,2	37
NH-400PW-F / PW-K	40 x 40	G1 1/2 x 1 1/2	10	230	1.2	0,37	14
NH-401PW-F / PW-K	40 x 40	G1 1/2 x 1 1/2	15	260	1.2	0,75	24
NH-402PW-F / PW-K	50 x 40	G2 x 1 1/2	23	440	1.2	1,5	37
NH-403PW-F / PW-K	50 x 40	G2 x 1 1/2	25	530	1.2	2,2	39
NH-405PW-F / PW-K	50 x 40	G2 x 1 1/2	31	550	1.2	4,0	57
NH-505PW-F / PW-K	65 x 50	G2 1/2 x 2	25	700	1.2	4,0	58
NH-507PW-F / PW-K	65 x 50	G2 1/2 x 2	29	950	1.2	5,5	77
NH-655PW-F / PW-K	80 x 65	19	800	1.2	4,0	75
NH-657PW-F / PW-K	80 x 65	26	1000	1.2	5,5	90
NH-6510PW-F / PW-K	80 x 65	31	1400	1.2	7,5	109
NH-6515PW-F / PW-K	80 x 65	37	1400	1.2	11,0	137

(*) IEC aluminium motor

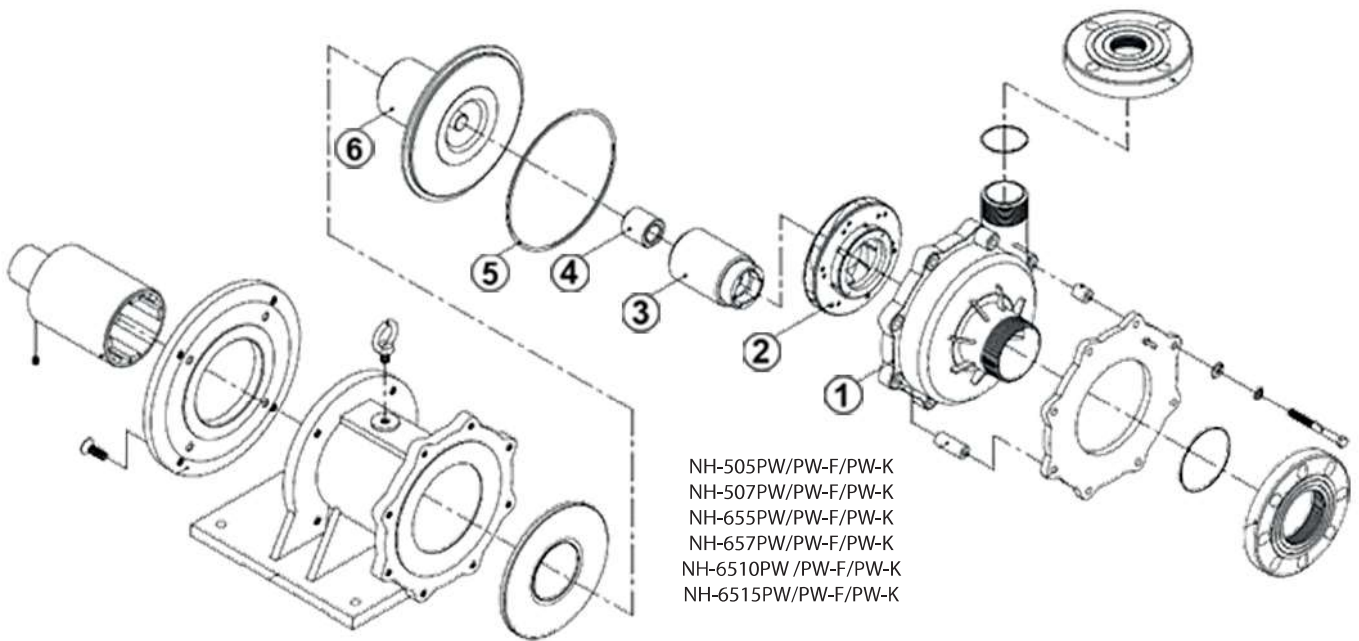
(**) Impellers trimmed to SG 1.2.

PW Series

Parts Lists



NH-350PW/PW-F/PW-K
 NH-351PW/PW-F/PW-K
 NH-352PW/PW-F/PW-K
 NH-353PW/PW-F/PW-K
 NH-400PW /PW-F/PW-K
 NH-401PW/PW-F/PW-K
 NH-402PW/PW-F/PW-K
 NH-403PW/PW-F/PW-K
 NH-405PW/PW-F/PW-K



NH-505PW/PW-F/PW-K
 NH-507PW/PW-F/PW-K
 NH-655PW/PW-F/PW-K
 NH-657PW/PW-F/PW-K
 NH-6510PW /PW-F/PW-K
 NH-6515PW/PW-F/PW-K

No.	Description	Materials		
		PW	PW-K	PW-F
1	Front casing	PPG	PVDF	ETFE
2	Impeller	PPG	PVDF	ETFE
3	MG Capsule	PPG	PVDF	ETFE
4	Sleeve Bearing Unit	Rulon	Rulon	Rulon
		Oxide Alumina Ceramic	Oxide Alumina Ceramic	Oxide Alumina Ceramic
		SiC	SiC	SiC
		Carbon	High density carbon	High density carbon
5	O-Ring	FKM	FKM	FKM
		EPDM	EPDM	EPDM
		FEP encapsulated FKM	FEP encapsulated FKM	FEP encapsulated FKM
6	Rear Casing	PPG	PVDF	ETFE