

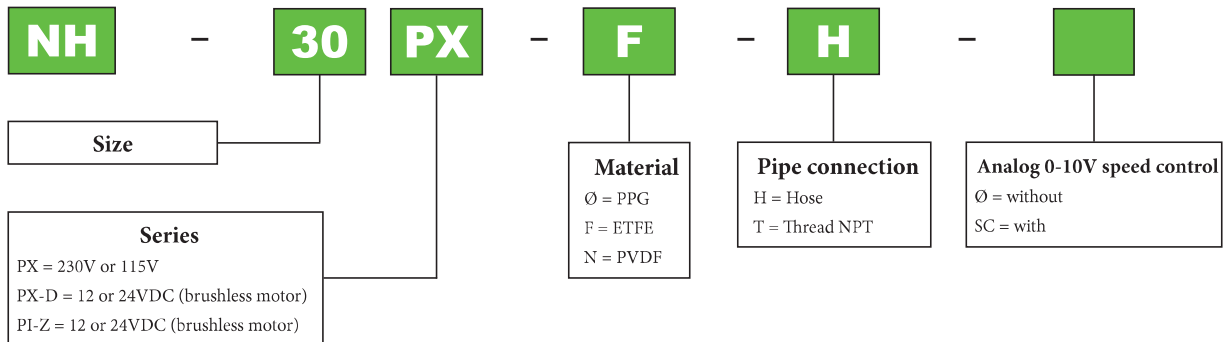
PX / PI Series

Small capacity pump with single phase motor or 24 VCC integrated. It is aimed at original equipment ranges, fertigation, ice machines, food equipment water testing...

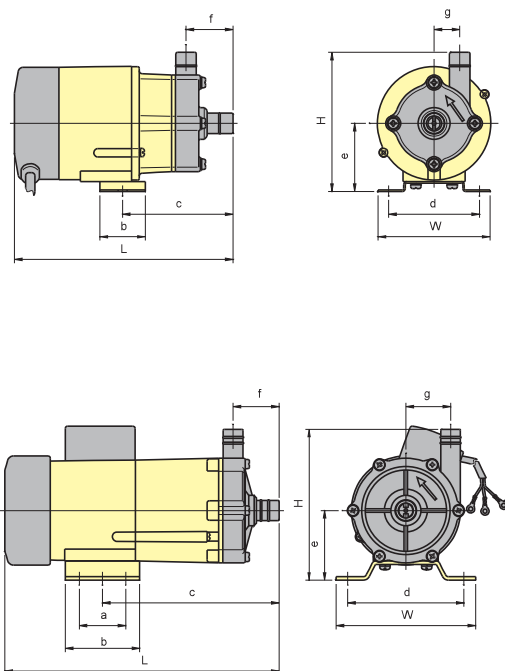


- Construction Materials: Polypropylene, PVDF or ETFE
- Fittings: BSP, hose spigot
- Flow rate up to 80 L/Min and height 21 m.C.I.

Ordering Information



Installation Dimensions



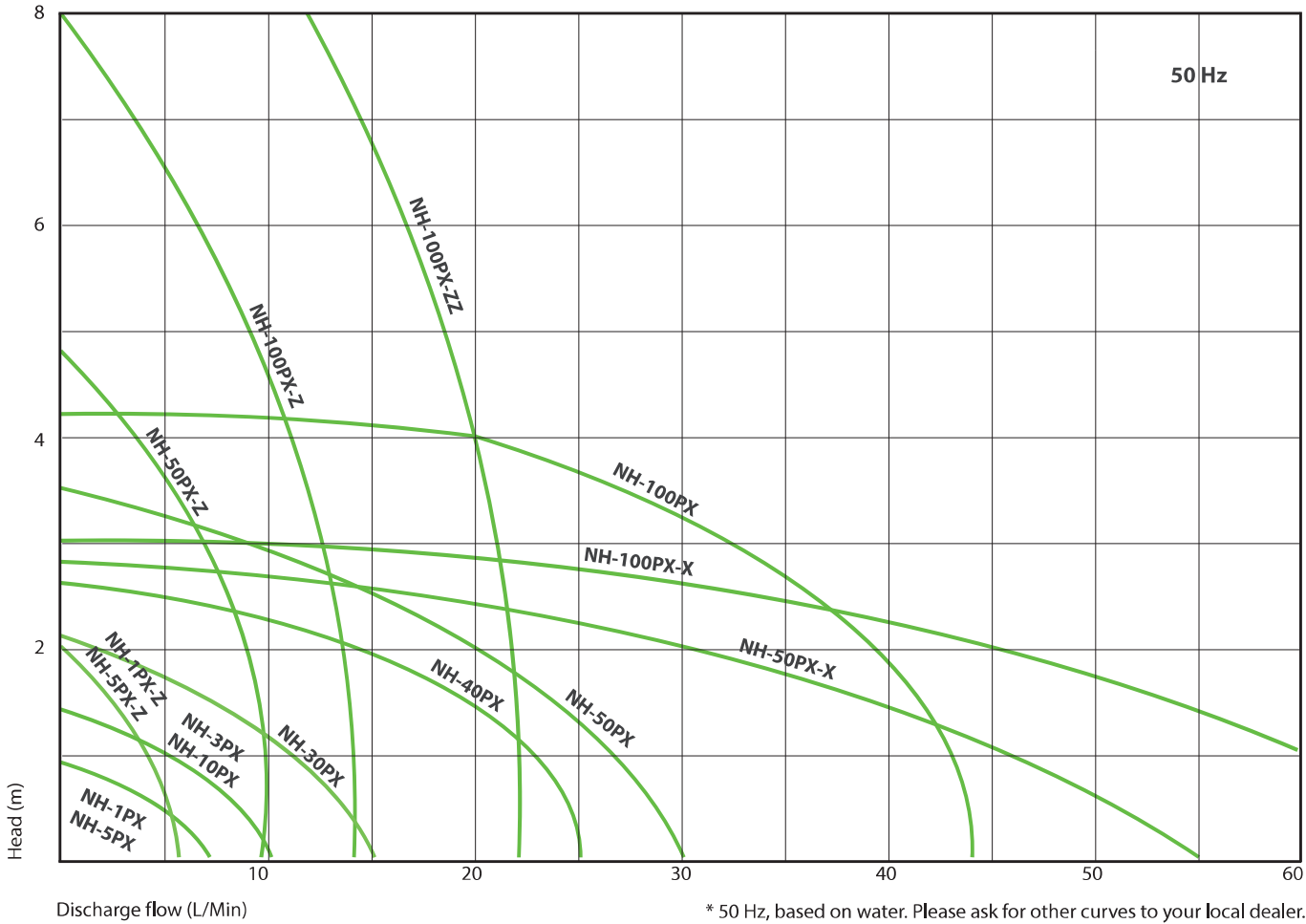
(mm)

Model	W	H	L	a	b	c	d	e	f	g
NH-1PX / 1PX-Z / 3PX	70	92	102	0	30	70	60	45	28	17
NH-5PX / 5PX-Z / 10PX	74	92	145	0	30	73	60	45	31	17
NH-5PX-D / 5PX-Z-D / 10PX-D	74	92	98	0	30	65	60	45	24	17
NH-5PI-Z-D / 10PI-Z-D	74	90	100	0	30	68	60	45	27	21
NH-15PI-Z-D / 20PI-Z-D	112	119	118	0	30	75	97	49	31	36
NH-30PI-Z-D	112	119	123	0	30	75	97	49	31	36
NH-40PI-Z-D	120	150	164	40	64	119	100	60	39	45
NH-30PX	95	115	197	30	50	117	68	55	39	22
NH-30PX-D	95	115	172	30	50	111	68	55	39	22
NH-40PX	95	115	210	30	50	132	68	55	39	29
NH-40PX-D	95	115	175	30	50	114	68	55	39	29
NH-50PX-Z	95	125	226	30	50	134	68	55	40	39
NH-50PX-Z-D	95	125	190	30	50	129	68	55	40	39
NH-50PX	120	130	247	40	64	169	100	60	48	31
NH-50PX-X	120	130	255	40	64	177	100	60	50	26
NH-100PX-Z	120	130	236	40	64	152	100	60	40	39
NH-100PX	120	130	262	40	64	169	100	60	48	31
NH-100PX-X	120	135	270	40	64	177	100	60	50	26
NH-100PX-ZZ	120	150	244	40	64	160	100	60	39	45
NH-100PI-Z-D	90	152	215	40	70	73	70	62	41	52

PX / PI Series

PX Performance curve

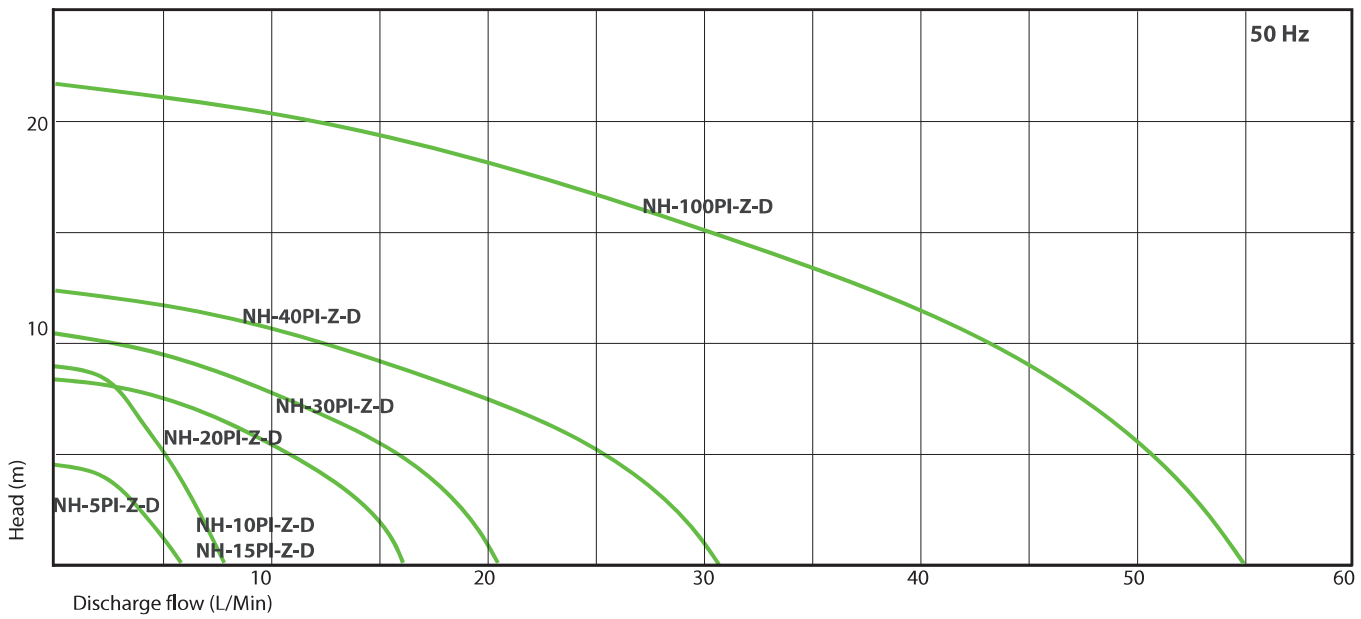
Nominal speed: 2500 r.p.m



* 50 Hz, based on water. Please ask for other curves to your local dealer.

PI Performance curve

Nominal speed: 2500 r.p.m



PX / PI Series

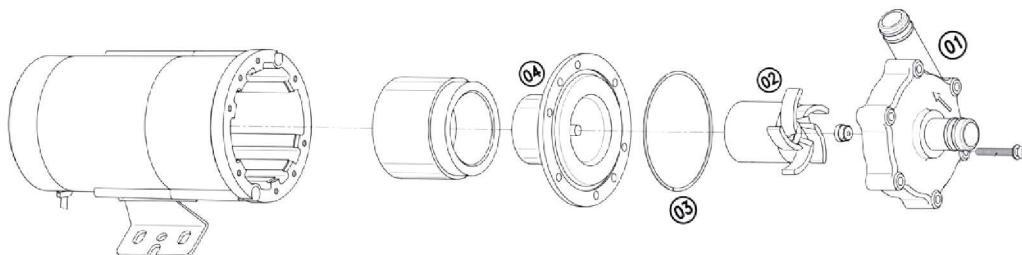
PX Specification table

Model	Connection method		Performance 50 Hz			Motor output	Net weight with motor
	in x outlet	in x outlet	Max head	Max flow	Nominal speed		
	hose (mm)	thread (inch)	m	l/min	r.p.m.		
NH-1PX / 5PX	14 x 14	G1/2 x 1/2	1.0	7.0	2500	2.0	0.8 / 1.0
NH-1PX-Z / 5PX-Z	14 x 14	G1/2 x 1/2	2.0	5.5	2500	5.0	0.8 / 1.0
NH-3PX / 10PX	14 x 14	G1/2 x 1/2	1.4	10.0	2500	5.0	1.0
NH-5PX-D	14 x 14	G1/2 x 1/2	1.9	13.5	3500	8.0	0.7
NH-5PX-Z-D	14 x 14	G1/2 x 1/2	2.8	11.5	3500	10.0	0.7
NH-10PX-D	14 x 14	G1/2 x 1/2	2.5	14.0	3500	10.0	0.7
NH-30PX	14 x 14	G3/4 x 3/4	2.1	15.0	2500	10.0	1.7
NH-30PX-D	14 x 14	G3/4 x 3/4	3.6	21.0	3500	20.0	1.2
NH-40PX	18 x 18	G3/4 x 3/4	2.6	25.0	2500	20.0	2.0
NH-40PX-D	18 x 18	G3/4 x 3/4	4.0	30.0	3500	30.0	1.4
NH-50PX-Z	18 x 18	G3/4 x 3/4	4.8	9.5	2500	20.0	1.5
NH-50PX-Z-D	18 x 18	G3/4 x 3/4	5.0	13.5	2700	30.0	1.2
NH-50PX	20 x 20	G3/4 x 3/4	3.5	30.0	2500	45.0	3.0
NH-50PX-X	26 x 26	G1 x 1	2.8	55.0	2500	45.0	3.0
NH-100PX-Z	18 x 18	G3/4 x 3/4	8.0	14.0	2500	45.0	3.6
NH-100PX	20 x 20	G3/4 x 3/4	4.2	43.0	2500	65.0	3.6
NH-100PX-X	26 x 26	G1 x 1	3.0	70.0	2500	65.0	3.6
NH-100PX-ZZ	20 x 20	G3/4 x 3/4	11.5	22.0	2700	65.0	3.5

PI Specification table

Model	Connection method		Performance 50Hz			Motor output	Net weight with motor
	in x outlet	in x outlet	Max head	Max flow	Nominal speed		
	hose (mm)	thread (inch)	m	l/min	r.p.m.		
NH-5PI-Z-D	8 x 14	G1/2 x 1/2	4.5	6.0	3700	10.0	0.7
NH-10PI-Z-D	8 x 14	G1/2 x 1/2	9.0	6.0	5450	20.0	0.7
NH-15PI-Z-D	8 x 18	G1/2 x 1/2	9.0	8.0	3200	20.0	1.5
NH-20PI-Z-D	18 x 18	G3/4 x 3/4	8.2	16.0	3000	30.0	1.5
NH-30PI-Z-D	18 x 18	G3/4 x 3/4	11.0	20.0	3300	45.0	1.6
NH-40PI-Z-D	20 x 20	G3/4 x 3/4	13.6	29.0	3500	85.0	2.2
NH-100PI-Z-D	20 x 16	G3/4 x 3/8	21.1	54.0	3000	85.0	5.0

Parts Lists



No.	Description	Materials		
		PX	PX-N	PX-F
1	Front casing	PPG	PVDF	ETFE
2	Impeller & bearing & Mg Capsule	PPG & ceramic	PVDF & ceramic / PVDF & SiC	ETFE & ceramic / ETFE & SiC
3	O-Ring	FKM / EPDM /NBR	FKM / EPDM /NBR	FKM / EPDM /NBR
4	Rear Casing & spindle	PPG & ceramic	PVDF & ceramic / PVDF & SiC	ETFE & ceramic / ETFE & SiC