

SPECIFICATIONS:

MODEL NUMBER: 8030-813-239

PUMP DESIGN: Positive Displacement 3 Chamber Diaphragm Pump

CHECK VALVE: (2-Way Op.) Prevents Reverse Flow & 6 Ft. Head Forward Flow

CAM: 3.0 Degree

MOTOR: Permanent Magnet, P/N 11-227-00, Thermally Protected

VOLTAGE: 12 VDC Nominal

PRESSURE SWITCH: Adjustable Shut-Off (Range 140-160 PSI)

Factory Set @ 150 PSI, Turn On 115 PSI

LIQUID TEMPERATURE: 180 Degrees Fahrenheit (82 Degrees Centigrade) Max.

PRIME: Self-Priming Up To 6 Ft. Vertical,
Max. Inlet Pressure 30 PSI (2.1 Bar)

PORTS: 3/8"-18 NPT Female

MATERIAL OF CONSTRUCTION:

PLASTICS- Nylon

VALVES- Viton

DIAPHRAGM- Santoprene

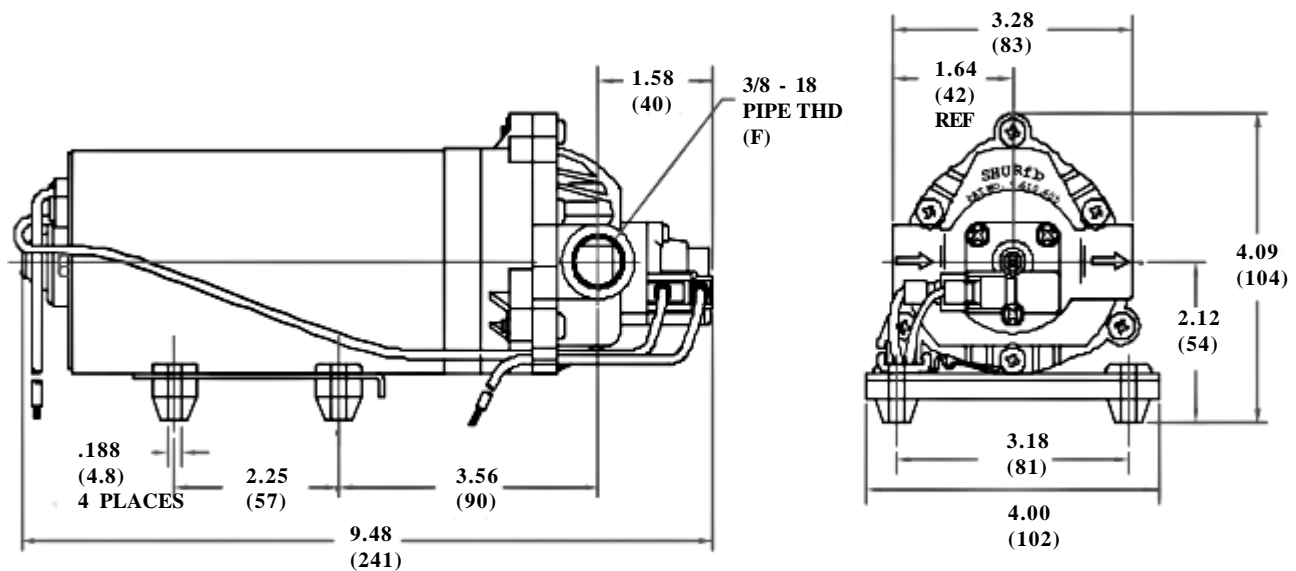
FASTENERS- Zinc Plated Steel

NET WEIGHT: 5.9 Lbs (2.7 Kg)

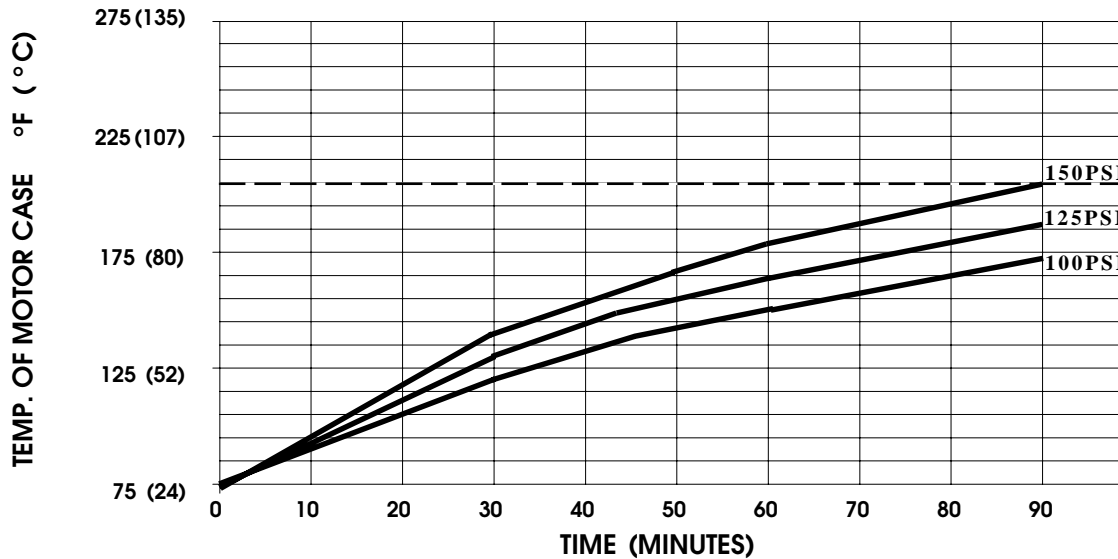
DUTY CYCLE: Intermittent (See Temperature Rise Chart)

TYPICAL APPLICATIONS: Agricultural Spraying

DIMENSIONS:



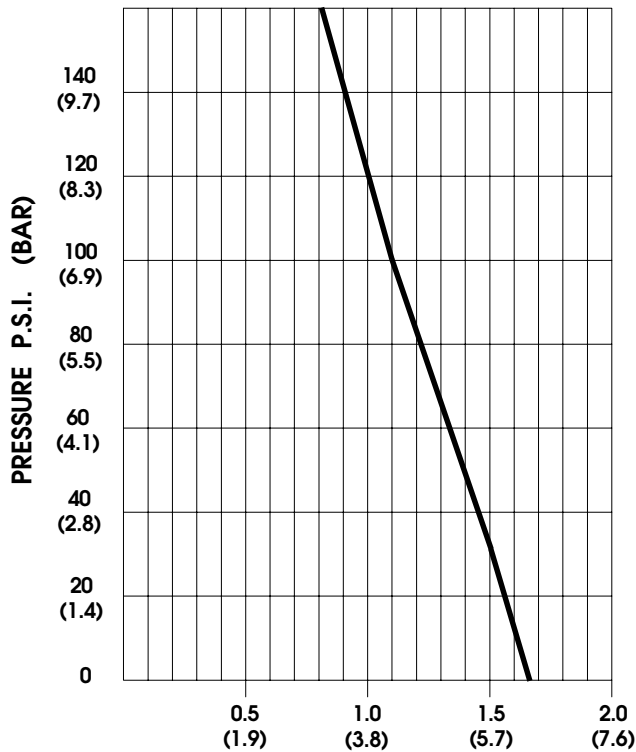
TEMPERATURE RISE



THIS GRAPH IS FOR USE AS A DESIGN GUIDE. IT IS BASED ON RUNNING CONTINUOUSLY WITH AN AMBIENT TEMPERATURE OF 75° F IN STILL AIR. THE THERMAL BREAKER WILL OPEN WHEN THE CASE TEMPERATURE REACHES 205 °F.

[----- TRIP POINT OF THERMAL PROTECTOR]

TYPICAL PERFORMANCE



| PRESSURE (PSI) | FLOW (GPM/LIT) | RPM MIN/MAX | CURRENT (AMPS) | VOLTAGE (VOLTS) |
|----------------|----------------|-------------|----------------|-----------------|
| OPEN | 1.66/6.3 | 2265/2310 | 4.5 | 12 VDC |
| 10 | 1.62/6.1 | 2245/2275 | 4.9 | " |
| 20 | 1.55/5.9 | 2215/2230 | 5.5 | " |
| 30 | 1.49/5.6 | 2180/2200 | 6.2 | " |
| 40 | 1.43/5.4 | 2145/2160 | 6.8 | " |
| 50 | 1.37/5.2 | 2115/2130 | 7.4 | " |
| 60 | 1.31/5.0 | 2080/2095 | 8.0 | " |
| 80 | 1.20/4.5 | 2010/2040 | 9.1 | " |
| 100 | 1.10/4.2 | 1955/1980 | 10.1 | " |
| 120 | 1.00/3.8 | 1895/1930 | 10.9 | " |
| 140 | 0.88/3.3 | 1840/1875 | 11.7 | " |
| 150 | 0.83/3.1 | 1815/1865 | 12.0 | " |

FLOW - GALLONS PER MINUTE (LITERS PER MINUTE)

-SPECIFICATIONS SUBJECT TO CHANGE WITHOUT NOTICE.

-ALL DATA BASED ON TESTING WITH WATER AT AMBIENT TEMPERATURE.