

2" Metallic Models OEM / Transfer Pumps

2" Metallic Performance Specifications

Ratio:	1:1
Maximum GPM (LPM):	172 (651)
Displacement per cycle: @ 100 psi Gallons (Liters)	1.4 (5.3)
Air Inlet (Female):	3/4 - 14 N.P.T.F.-1
Fluid Inlet/Outlet (Female):	PX20X-AXX-XXX-B() 2 - 11-1/2 N.P.T.F.-1 PX20X-BXX-XXX-B() Rp 2 (2 - 11 BSP parallel) PX20X-FXX-XXX-B() 2" A.N.S.I./DIN Flange
Max. operating pressure psi (bar):	120 (8.3)
Suspended solids max. dia. in. (mm):	1/4" (6.4)
Maximum dry suction lift ft (m):	14 (4.2)

Weight lbs (kg):				Air Motor				Wetted				Pump Wgt							
Air Motor	Connection	Wetted	Pump Wgt	Air Motor	Connection	Wetted	Pump Wgt	Air Motor	Connection	Wetted	Pump Wgt	Air Motor	Connection	Wetted	Pump Wgt				
PD20A	AL	Thread	AL	91.4 (41.5)	PD20S	SS	Thread	AL	120.3 (54.6)	SS	Thread	AL	120.3 (54.6)	SS	Thread	AL	120.3 (54.6)		
	AL	Thread	CI	147.4 (66.9)		SS	Thread	CI	176.3 (80)		SS	Thread	CI		176.3 (80)	SS	Thread	CI	176.3 (80)
	AL	Thread	H	155 (70.3)		SS	Thread	H	183.9 (83.4)		SS	Thread	H		183.9 (83.4)	SS	Thread	H	183.9 (83.4)
	AL	Thread	SS	149.8 (68)		SS	Thread	SS	178.7 (81.1)		SS	Thread	SS		178.7 (81.1)	SS	Thread	SS	178.7 (81.1)
	AL	Flange	H	162.2 (73.6)		SS	Flange	H	191.1 (86.7)		SS	Flange	H		191.1 (86.7)	SS	Flange	H	191.1 (86.7)
	AL	Flange	SS	162.2 (73.6)		SS	Flange	SS	191.1 (86.7)		SS	Flange	SS		191.1 (86.7)	SS	Flange	SS	191.1 (86.7)
PD20R	Poly	Thread	CI	165 (74.8)															
	Poly	Thread	H	154 (69.9)															
	Poly	Thread	SS	154 (69.9)															
	Poly	Flange	H	146 (66.2)															
	Poly	Flange	SS	146 (66.2)															

AL-Aluminum, CI-Cast Iron, H-Hastelloy, SS-Stainless Steel



Sound Level:

PSI	Cycles / Min	db(A)
70	50	85.0

Ordering Menu

PX20	X	-	X	X	X	-	X	X	X	-	B
Model Series	Center Section		Connection		Hardware		Seat Material		Diaphragm Material		Ball Material
PD20 Standard Pump	A Aluminum		A N.P.T.F. Thread	P Plated Steel	A Santoprene		A Santoprene		A Santoprene		A Santoprene
PE20 Electronic Interface Accessible Pump	R Polypropylene w/SS Air Caps		B BSP Thread	S Stainless Steel	C Hytrel		C Hytrel		C Hytrel		C Hytrel
	S Stainless Steel		F* 2" A.N.S.I./DIN Flange (Center)		E Carbon Steel		E Carbon Steel		G Nitrile		G Nitrile
	Y Polypropylene w/CI Air Caps		Wetted Parts		F Aluminum		F Aluminum		M Medical Grade Santoprene		M Medical Grade Santoprene
			A Aluminum		G Nitrile		G Nitrile		T PTFE/Santoprene		T PTFE/Santoprene
			C Cast Iron		H 440 Stainless Steel (Hard)		H 440 Stainless Steel (Hard)		V Viton		V Viton
			H Hastelloy		K PVDF		K PVDF				
			S Stainless Steel		L Hastelloy-C		L Hastelloy-C				
					S 316 Stainless Steel		S 316 Stainless Steel				

* Stainless Steel pumps only
† Not available on PD20R-X

Accessories*

Air Line Connection Kit | Kit No. 66109

Kit includes Piggyback Filter/Regulator with gauge, pipe nipple and a 5-foot section of air hose.

Diaphragm Failure Detection (DFD) | Kit No. 67237

Costly production downtime due to pump diaphragm failure and resulting (possibly hazardous) material leakage is a very real problem in many process operations. ARO Diaphragm Failure Detection is one simple, cost-effective way to get your pumps wired for preventive maintenance. (PE20X pump model is required)

Cycle Counter Kit | Kit No. 67350-1

Like the odometer on your car, ARO's cycle sensing / cycle counter lets you know how many pump cycles have elapsed so you can be prepared to perform preventive maintenance. The cycle sensor is a cost-efficient way to save maintenance costs while keeping your pump on-line. (PE20X pump model is required)

Service Repair Kits | Kit No. 637369 (air motor for PX20R and PX20Y)

Kit No. 637421 (air motor for PX20A and PX20S)

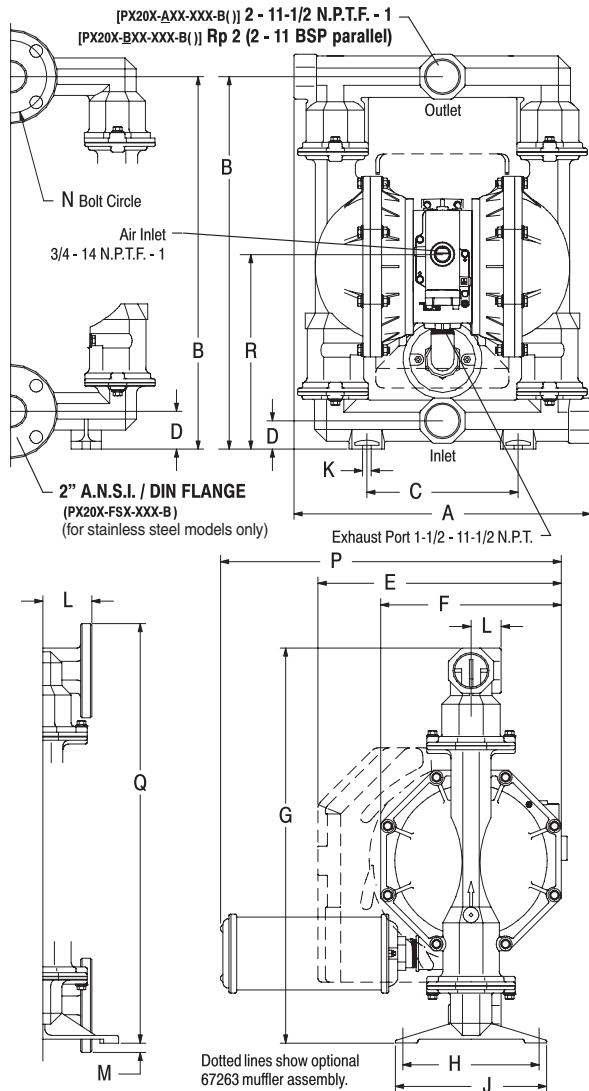
Kit No. 637309-XX (fluid section)

Kit No. 637374-X (major air valve assembly)

*Please note pumps are not included with these kits.



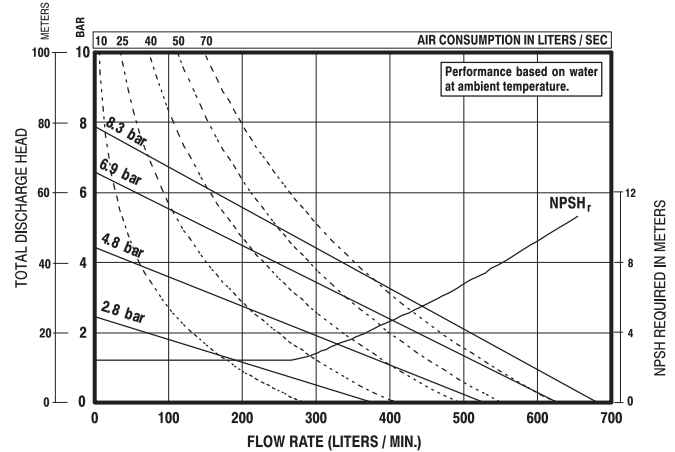
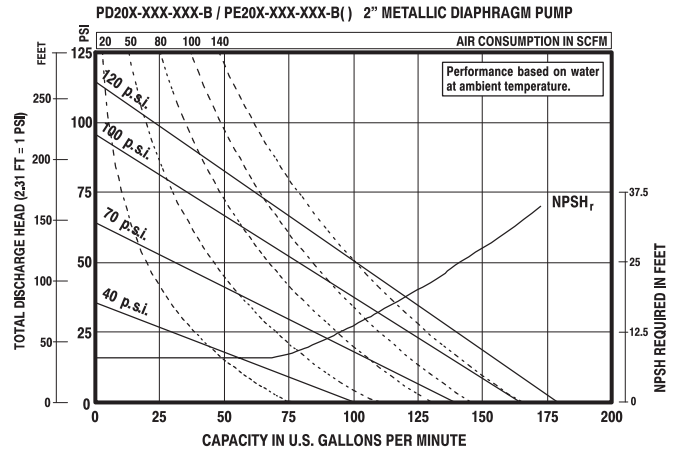
2" Metallic Dimensions and Flow Curves OEM / Transfer Pumps



DIMENSIONS

A see below	G 26-1/4" (666.8 mm)	M 5/8" (15.9 mm)
B 24-3/4" (628.7 mm)	H 9-1/16" (230.2 mm)	N 4.834" (122.8 mm)
C 10-1/16" (255.6 mm)	J 10-1/16" (255.6 mm)	P 21-5/8" (548 mm)
D see below	K 9/16" (14.3 mm)	Q 27-7/8" (708.0 mm)
E 16-3/16" (411.2 mm)	L see below	R see below
F 12" (304.8 mm)		

	"A"	"D"	"L"	"R"
PX20X-XAX-XXX-B ()	19-3/4" (501.4 mm)	1-7/8" (47.6 mm)	2" (50.8 mm)	12-15/16" (328.6 mm)
PX20X-XCX-XXX-B ()	19-3/4" (501.4 mm)	1-7/8" (47.6 mm)	2" (50.8 mm)	12-15/16" (328.6 mm)
PX20X-AHX-XXX-B (), -BHX	19-1/4" (488.7 mm)	2-1/2" (63.5 mm)	2-3/32" (53.0 mm)	13-9/16" (344.5 mm)
PX20X-ASX-XXX-B (), -BSX	19-1/4" (488.7 mm)	2-1/2" (63.5 mm)	2-3/32" (53.0 mm)	13-9/16" (344.5 mm)
PX20X-FHX-XXX-B (), -FSX	19-1/4" (488.7 mm)	2-1/2" (63.5 mm)	3-1/4" (82.6 mm)	13-9/16" (344.5 mm)



Refer to www.ingersollrandproducts.com for full size flow curves.

For additional information contact technical support at 1.800.483.4981

Accessories*

Continuous-Duty Muffler | No. 67263

Helps reduce possibility of pump freeze-over caused by moisture in air supply. Recommended for continuous-duty and high-flow applications. Muffler features large expansion chamber, permitting cold exhaust air to exit pump.

67263 Continuous-Duty Muffler would be used to replace 67213 Muffler that comes standard with pump.

*Please note pumps are not included with these kits.