

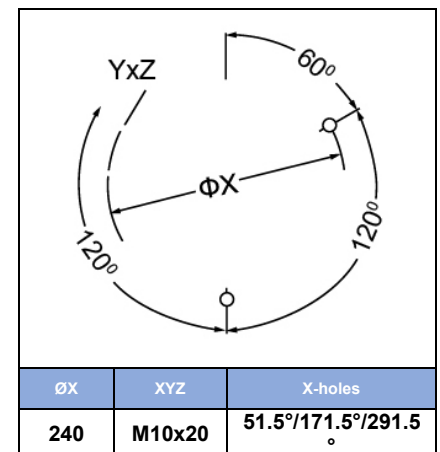
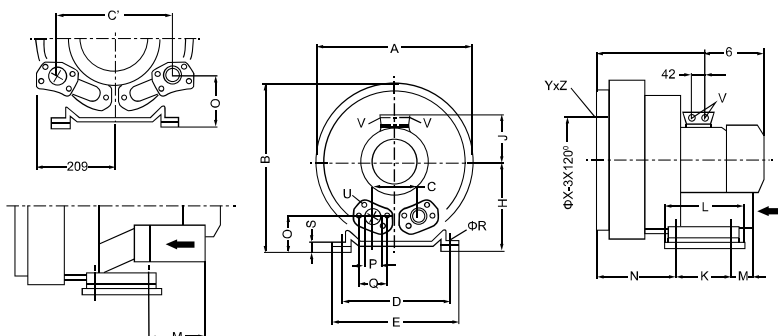
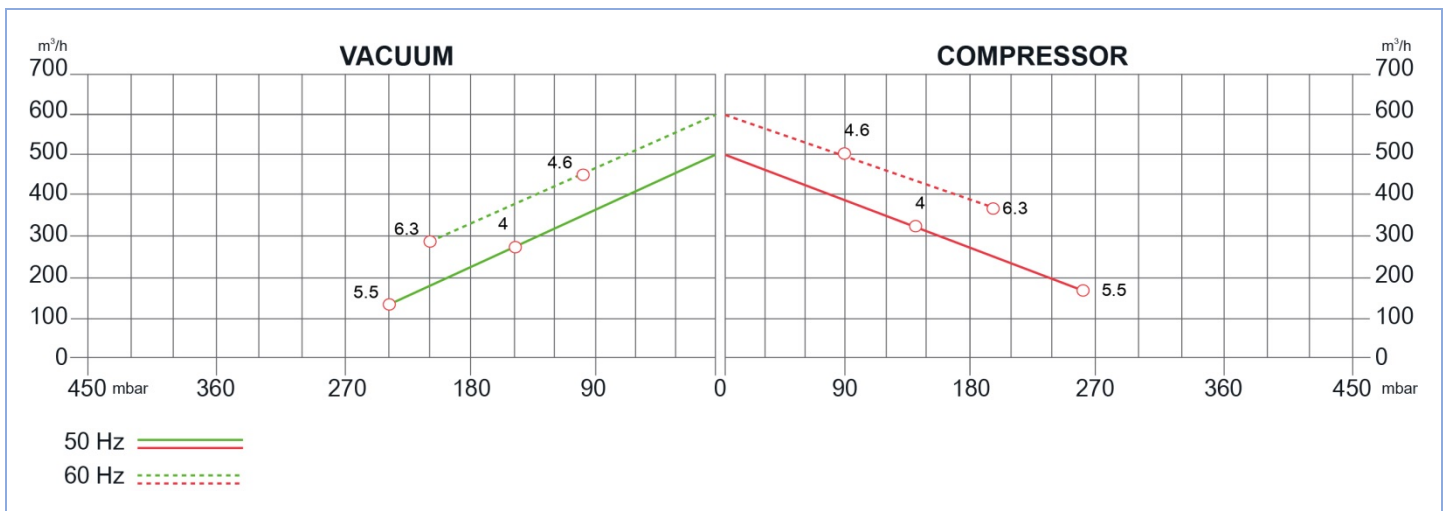
SIDE CHANNEL BLOWERS

BL 620 020 – Double Impeller



Construction of the ring blowers fans is based on the lateral ducts principle. The blowers can operate as either exhaust or compression fans and are designed for continuous service. The device is assembled directly on the motor shaft; all the rotating parts are dynamically balanced to ensure absolute absence of vibration. Full die-cast aluminum construction for maximum sturdiness and ease of handling. The characteristics data given here refer to the handling of gas with inlet temperature of 15°C, normal density of 1,23 kg/m³ and absolute pressure of 1023 mbar. Tolerance of ±10%.

Model	Freq. [Hz]	Power [kW]	Voltage [V]		Rated Current [A]		Max Airflow [m ³ /h]	Rated VACUUM [mbar]	Rated COMPRESSOR [mbar]	Noise [dB A]	Weight [kg]
			△	Y	△	Y					
BL62002004000	50	4	345+415	600+720	9.0	5.2	500	-150	140	74	54
	60	4.6	380+480	660+720			600	-100	90	78	
BL62002005500	50	5.5	345+415	600+720	13.3	7.7	500	-240	260	74	69
	60	6.3	380+480	660+720			600	-210	200	78	
BL62002004003	50	4	200+240	345+415	15.5	9.0	500	-150	140	74	54
	60	4.6	220+275	380+480			600	-100	90	78	
BL62002005503	50	5.5	200+240	345+415	23	13.3	500	-240	260	74	69
	60	6.3	220+275	380+480			600	-210	200	78	



tel: +420 722 712 652

Create Flow

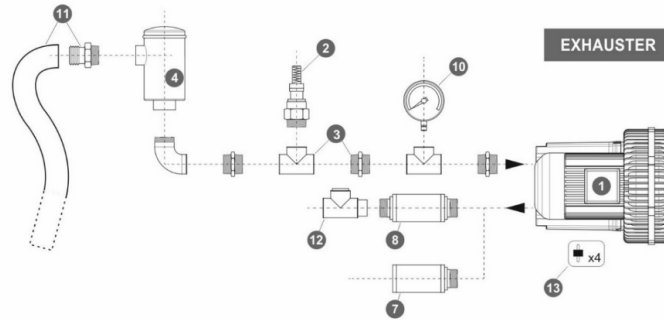
Your Choice,
Our Commitment

SIDE CHANNEL BLOWERS

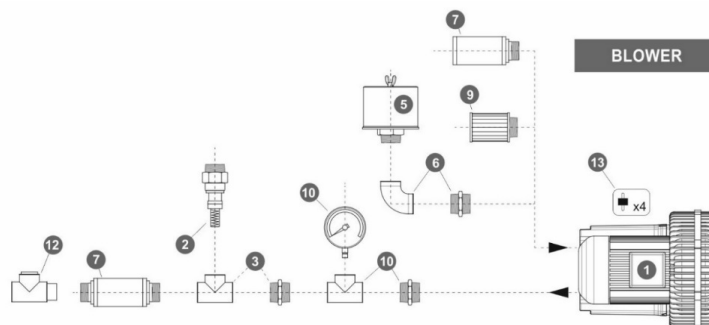
BL 620 020 – Double Impeller



MODEL	A	A'	B	C	D	E	F	G	H	H'	J	K	L	M	N	O	P	ØR	S	T	U	V1	V1'	W
BL62002004000							-	-			-													
BL62000205500	426	426	410	154	290	325			197	162		140	180		205	53	G 2	15	4.5	130	M8x17	M32x1.5	M32x1.542	42
BL62002004003							571	226			167													
BL62002005503																								



Ref. #	Description	Code
1	Side Channel Blower Double Impeller / Single Stage – 2" connection	BL 620 020__
2	Safety Valve	BLSV050AL03 BLSV050AL36
3	Installation kit safety valve	BLKS05F050C
4	In-Line filter	Paper Polyester Stainless Steel 30 µ Stainless Steel 60 µ
5	Cartridge filter	BLCF050PA007
6	Filter kit	Nipple Socket
7	Final Silencer	BLFS050ZP - BLFS050ZPR
8	In-Line silencer	BLIS050
9	Indoor filter	BLIF050ZP100
10	Gauge	Pressure Vacuum
11	Sleeve + Hose clip kit	BLSH050
12	Check valve	BLCV050AL
13	Anti-vibration pins	BLAV10



tel: +420 722 712 652

Create Flow

info@createflow.cz
www.createflow.cz

Your Choice,
Our Commitment