

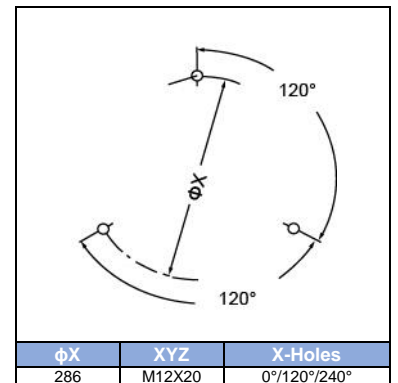
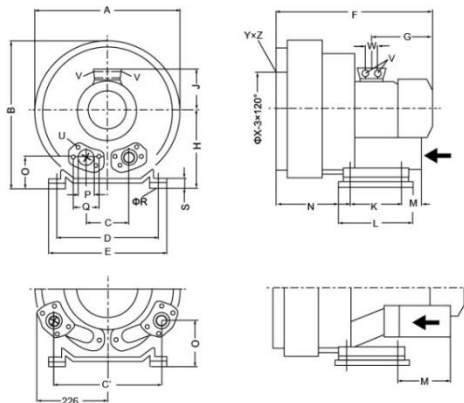
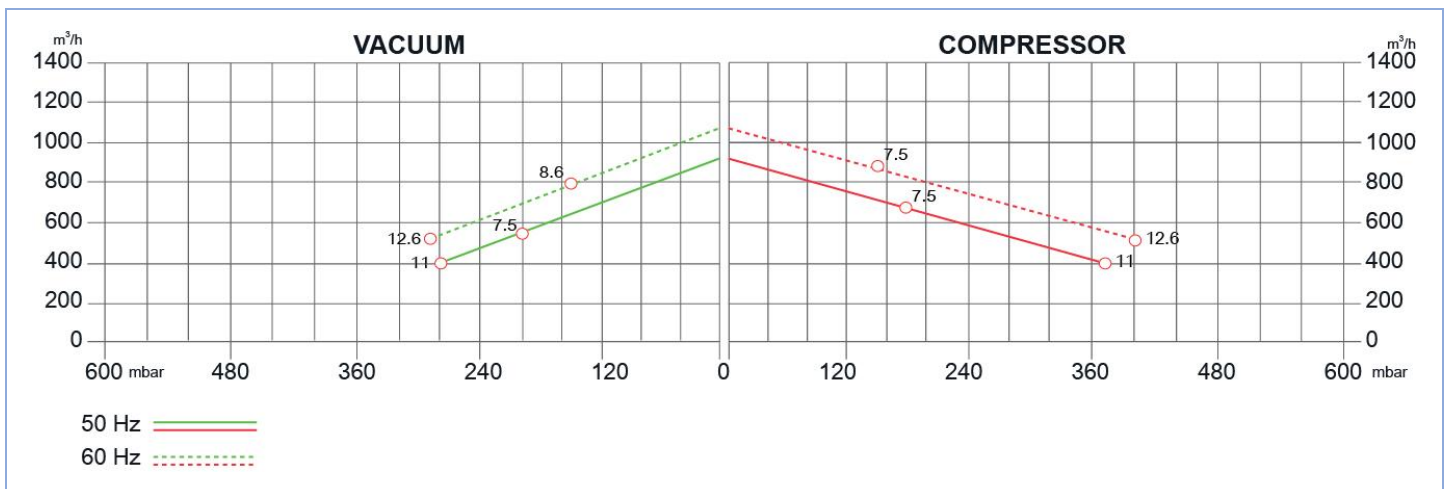
SIDE CHANNEL BLOWERS

BL 920 002 – Double Impeller



Construction of the ring blowers fans is based on the lateral ducts principle. The blowers can operate as either exhaust or compression fans and are designed for continuous service. The device is assembled directly on the motor shaft; all the rotating parts are dynamically balanced to ensure absolute absence of vibration. Full die-cast aluminum construction for maximum sturdiness and ease of handling. The characteristics data given here refer to the handling of gas with inlet temperature of 15°C, normal density of 1,23 kg/m³ and absolute pressure of 1023 mbar. Tolerance of ±10%.

Model	Freq. [Hz]	Power [kW]	Voltage [V]		Rated Current [A]		Max Airflow [m ³ /h]	Rated VACUUM [mbar]	Rated COMPRESSOR [mbar]	Noise [dB A]	Weight [kg]
			△	Y	△	Y					
BL92000207500	50	7.5	345÷415	600÷720	16.7	9.6	520	-400	400	74	88
	60	8.6	380÷480	660÷720	17.3	10.0	620	-360	330	78	
BL92000211000	50	11	345÷415	600÷720	28.0	16.2	520	-430	660	74	104
	60	12.6	380÷480	660÷720	29.0	16.7	620	-460	600	78	
BL92000215000	50	15	345÷415	600÷720	32.5	18.8	520	-460	670	74	120
	60	17.3	380÷480	660÷720	34.5	19.9	620	-490	750	78	



MODEL	A	A'	B	B'	C	D	E	F	F'	G	H	H'	J	K	L	M	N	N'	O	P	ØR	S	V	W
BL92000207500								545	589	226			167				236		65				4XM32X1.5	
BL92000211000	500	549	490	509	76	356	394				240	199		170	217	-		84	G 2½	15	6		4XM40X1.5	42
BL92000215000								694	717	318			197				212		105					

tel: +420 722 712 652

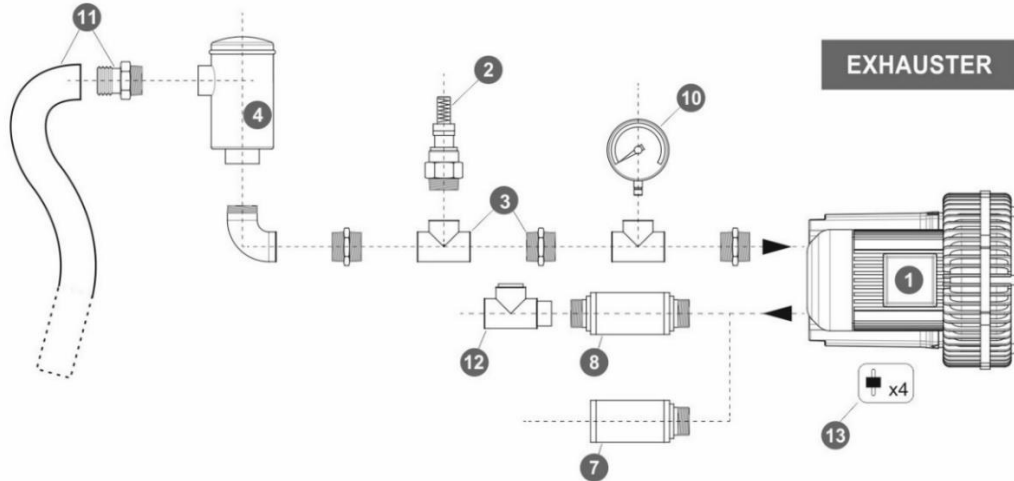
Create Flow

info@createflow.cz
www.createflow.cz

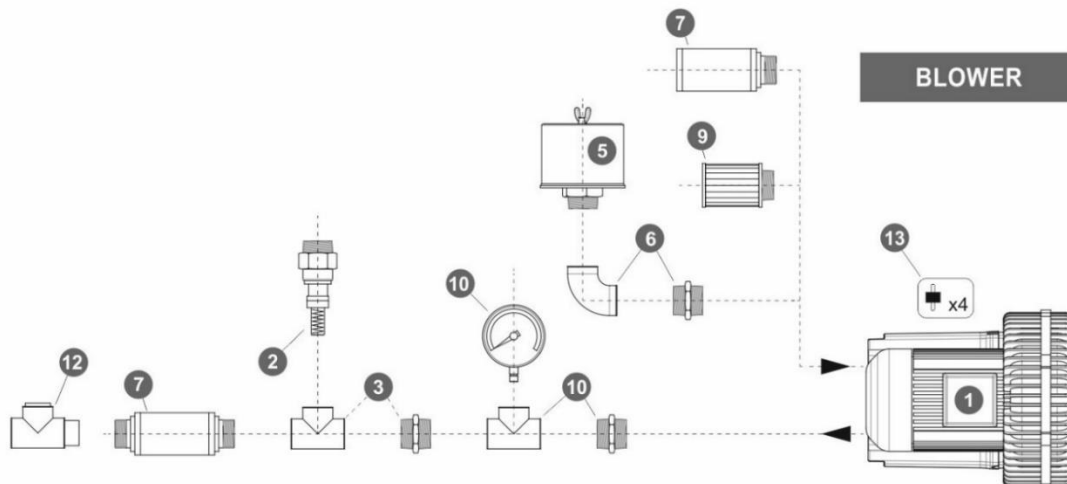
Your Choice,
Our Commitment

SIDE CHANNEL BLOWERS

BL 920 002 – Double Impeller



Ref. #	Description	Code
1	Side Channel Blower Double Impeller / Single Stage – 2”½ connection	BL 920 002_
2	Safety Valve	BLSV050AL36
3	Installation kit safety valve	BLKS05F065C
4	In-Line filter	Paper Polyester Stainless Steel 30 µ Stainless Steel 60 µ
5	Cartridge filter	BLCF065PA007
6	Filter kit	Nipple Socket
7	Final Silencer	BLFS065ZP - BLFS065ZPR
8	In-Line silencer	BLIS065
9	Indoor filter	BLIF065ZP100
10	Gauge	Pressure Vacuum
11	Sleeve + Hose clip kit	BLSH065
12	Check valve	BLCV032AL
13	Anti-vibration pins	BLAV12



tel: +420 722 712 652

Create Flow

info@createflow.cz
www.createflow.cz

Your Choice,
Our Commitment