

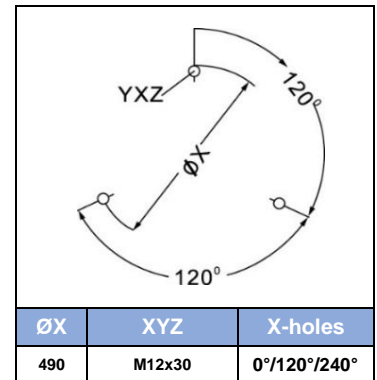
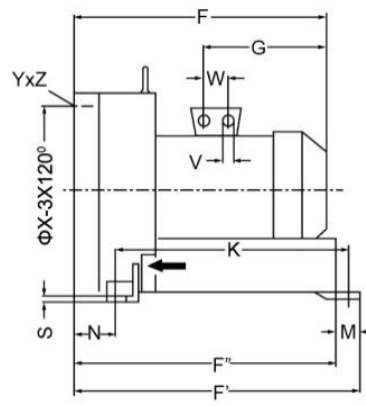
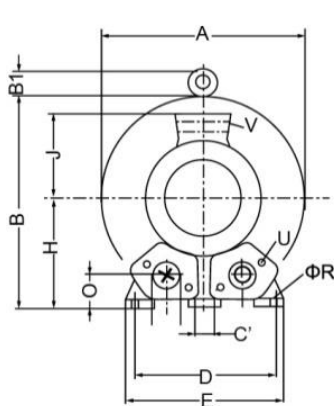
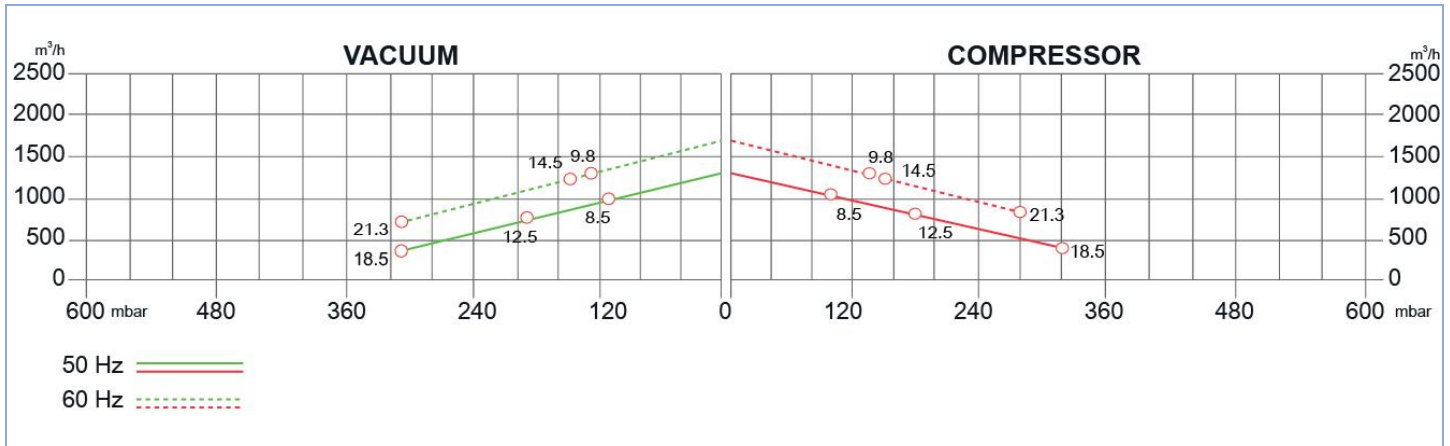
# SIDE CHANNEL BLOWERS

## BL 093 001 – Single Impeller



Construction of the ring blowers fans is based on the lateral ducts principle. The blowers can operate as either exhaust or compression fans and are designed for continuous service. The device is assembled directly on the motor shaft; all the rotating parts are dynamically balanced to ensure absolute absence of vibration. Full die-cast aluminum construction for maximum sturdiness and ease of handling. The characteristics data given here refer to the handling of gas with inlet temperature of 15°C, normal density of 1,23 kg/m<sup>3</sup> and absolute pressure of 1023 mbar. Tolerance of ±10%.

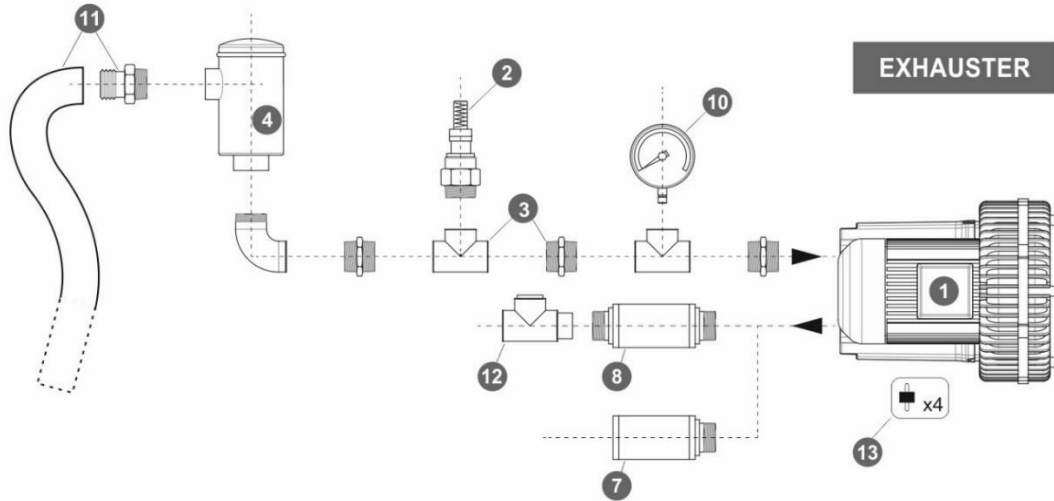
Model	Freq. [Hz]	Power [kW]	Voltage [V]		Rated Current [A]		Max Airflow [m <sup>3</sup> /h]	Rated VACUUM [mbar]	Rated COMPRESSOR [mbar]	Noise [dB A]	Weight [kg]
			△	Y	△	Y					
BL09300108500	50	8.5	345÷415	600÷720	18.2	10.5	1370	-120	110	75	98
	60	9.8	380÷480	660÷720			1650	-140	140	80	
BL09300112500	50	12.5	345÷415	600÷720	28.0	16.2	1370	-190	180	75	121
	60	14.5	380÷480	660÷720	29.0	22.5	1650	-150	150	80	
BL09300118500	50	18.5	345÷415	600÷720	37.0	21.0	1370	-310	320	75	131
	60	21.3	380÷480	660÷720	39.0	22.5	1650	-300	280	80	



MODEL	A	B	B <sub>1</sub>	C	C'	D	E	F	F'	F''	G	H	J	K	M	N	O	P	Q	ØR	S	U	V	W
BL09300108500								563			268													42
BL09300112500	550	569	55	207	15	360	415	649	682	643	345	300	167	533	39	127	92	G 4	150	15	21	M12x30	4XM32X1.5	54
BL09300118500																								

# SIDE CHANNEL BLOWERS

## BL 093 001 – Single Impeller



Ref. #	Description	Code
1	Side Channel Blower – Single Impeller / Single Stage – 4” connection	BL 093 001__
2	Safety Valve	BLSV100AL02 BLSV100AL46
3	Installation kit safety valve	BLKS100100C BLKS10F100C
4	In-Line filter	Paper Polyester Stainless Steel 30 µ Stainless Steel 60 µ
5	Cartridge filter	BLIL100PA007 BLIL100PO025 -
6	Filter kit	Nipple Socket
7	Final Silencer	BLCF100PA007
8	In-Line silencer	BLIS100
9	Indoor filter	BLFS100ZP – BLFS100ZPR
10	Gauge	Pressure Vacuum
11	Sleeve + Hose clip kit	BLSH100
12	Check valve	BLCV100AL
13	Anti-vibration pins	BLAV12

