

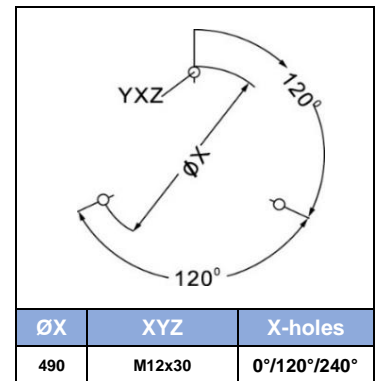
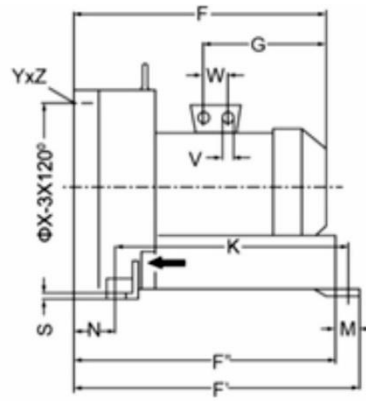
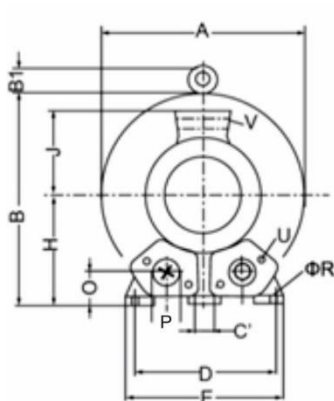
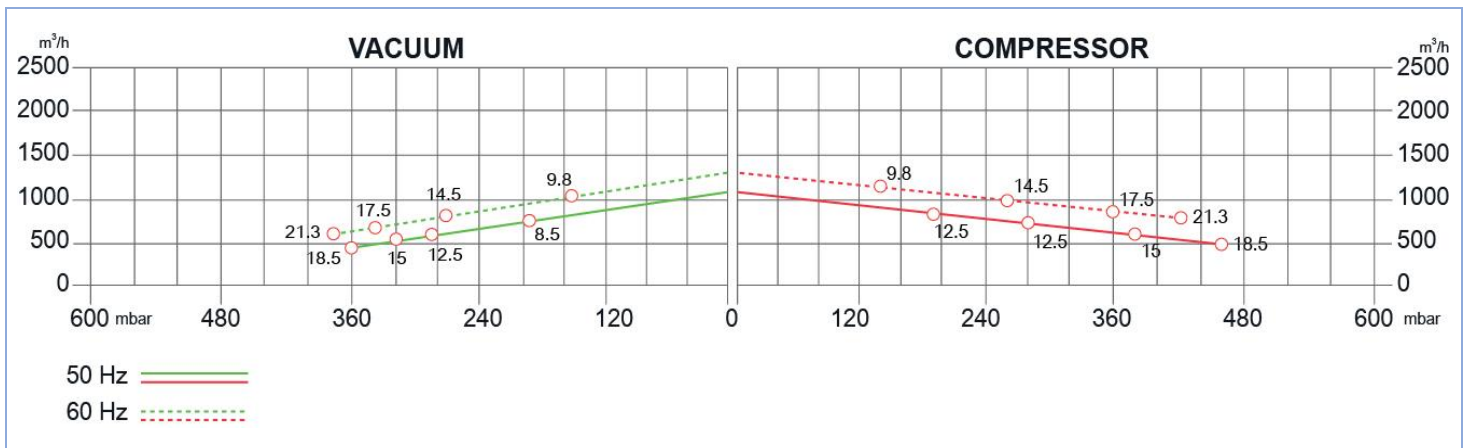
SIDE CHANNEL BLOWERS

BL 090 001 – Single Impeller



Construction of the ring blowers fans is based on the lateral ducts principle. The blowers can operate as either exhaust or compression fans and are designed for continuous service. The device is assembled directly on the motor shaft; all the rotating parts are dynamically balanced to ensure absolute absence of vibration. Full die-cast aluminum construction for maximum sturdiness and ease of handling. The characteristics data given here refer to the handling of gas with inlet temperature of 15°C, normal density of 1,23 kg/m³ and absolute pressure of 1023 mbar. Tolerance of ±10%.

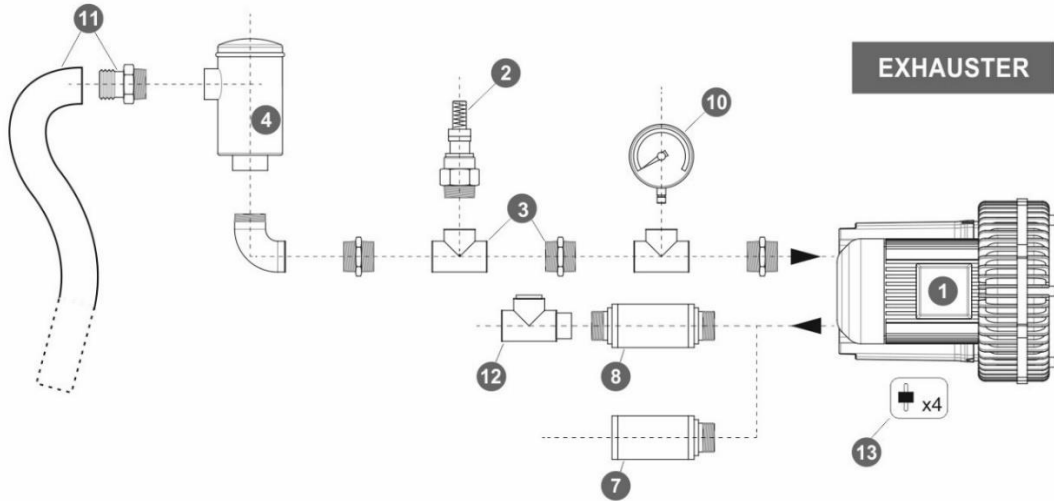
Model	Freq. [Hz]	Power [kW]	Voltage [V]		Rated Current [A]		Max Airflow [m ³ /h]	Rated VACUUM [mbar]	Rated COMPRESSOR [mbar]	Noise [dB A]	Weight [kg]
			△	Y	△	Y					
BL09000108500	50	8.5	345÷415	600÷720	18.2	10.5	1050	-190	190	74	93
	60	9.8	380÷480	660÷720			1250	-150	140	79	
BL09000112500	50	12.5	345÷415	600÷720	28.0	16.2	1050	-290	280	74	116
	60	14.5	380÷480	660÷720	29.0	16.7	1250	-270	260	79	
BL09000115000	50	15	345÷415	600÷720	35.0	20.0	1050	-320	380	74	120
	60	17.5	380÷480	660÷720	36.5	21.0	1250	-340	360	79	
BL09000118500	50	18.5	345÷415	600÷720	37.0	21.0	1050	-360	460	74	126
	60	21.3	380÷480	660÷720	39.0	22.5	1250	-380	420	79	



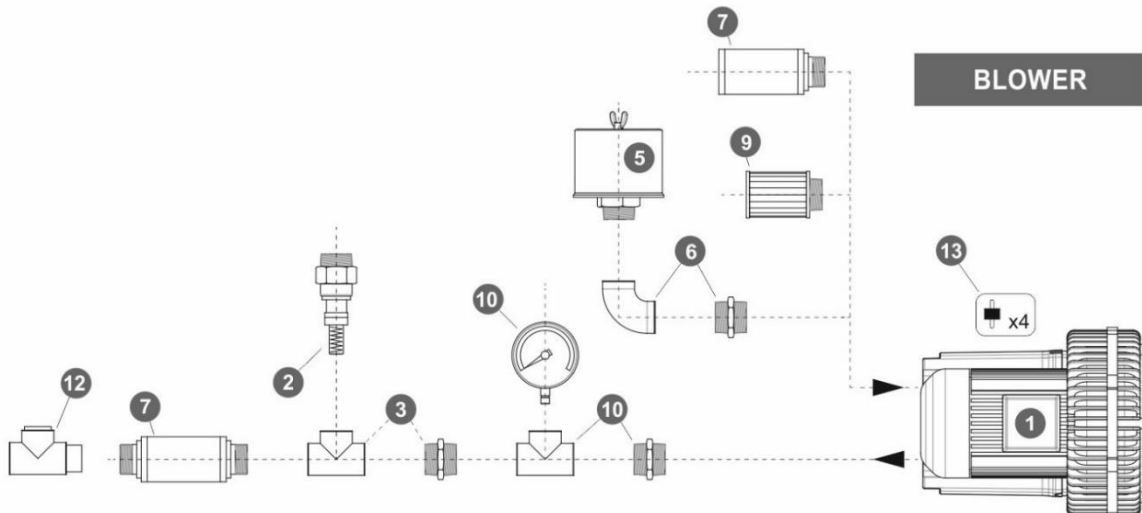
MODEL	A	B	B'	C	C'	D	E	F	F'	G	H	H'	J	K	L	M	N	N'	O	P	ØR	S	U	V	W
BL09000108500								525																	42
BL09000112500	550	569	55	207	15	360	415	611	644	605	268	300	167	533	39	89	92	100	150	G 4	15	21	M12x30	4xM32x1.5	54
BL09000115000																									
BL09000118500																									

SIDE CHANNEL BLOWERS

BL 090 001 – Single Impeller



Ref. #	Description	Code
1	Side Channel Blower – Single Impeller / Single Stage – 4” connection	BL 090 001 __
2	Safety Valve	BLSV100AL03 BLSV100AL24 BLSV100AL46
3	Installation kit safety valve	BLKS100100C BLKS10F100C
4	In-Line filter	Paper Polyester Stainless Steel 30 μ Stainless Steel 60 μ
5	Cartridge filter	BLIL100PA007 BLIL100PO025
6	Filter kit	Nipple Socket
7	Final Silencer	BLCF100PA007
8	In-Line silencer	BLIS100
9	Indoor filter	-
10	Gauge	Pressure Vacuum
11	Sleeve + Hose clip kit	BLMN06306 BLVG06306
12	Check valve	BLSH100
13	Anti-vibration pins	BLCV100AL BLAV12



tel: +420 722 712 652

Create Flow

info@createflow.cz
www.createflow.cz

Your Choice,
Our Commitment