

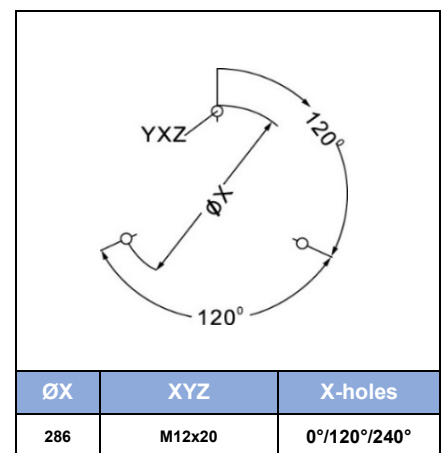
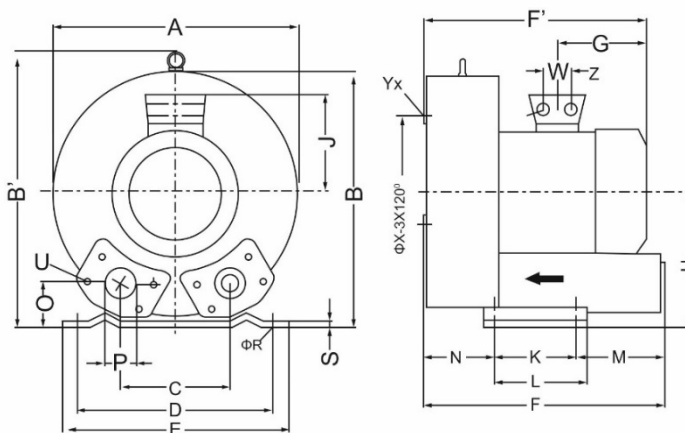
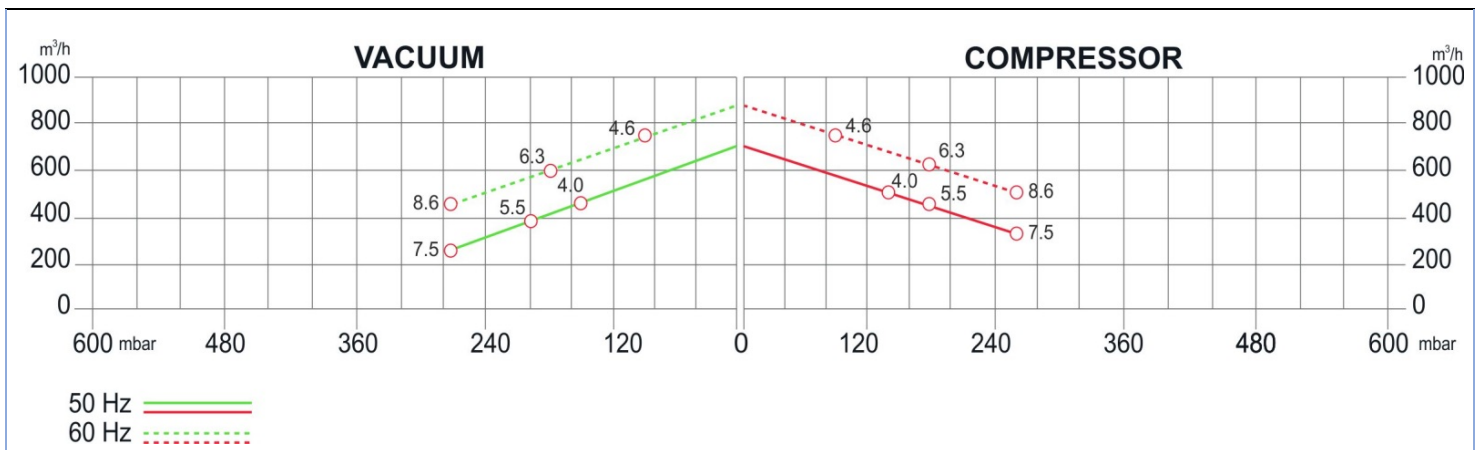
SIDE CHANNEL BLOWERS

BL 073 001 – Single Impeller



Construction of the ring blowers fans is based on the lateral ducts principle. The blowers can operate as either exhaust or compression fans and are designed for continuous service. The device is assembled directly on the motor shaft; all the rotating parts are dynamically balanced to ensure absolute absence of vibration. Full die-cast aluminum construction for maximum sturdiness and ease of handling. The characteristics data given here refer to the handling of gas with inlet temperature of 15°C, normal density of 1,23 kg/m³ and absolute pressure of 1023 mbar. Tolerance of ±10%.

Model	Freq. [Hz]	Power [kW]	Voltage [V]		Rated Current [A]		Max Airflow [m ³ /h]	Rated VACUUM [mbar]	Rated COMPRESSOR [mbar]	Noise [dB A]	Weight [kg]
			△	Y	△	Y					
BL07300104000	50	4.0	345+415	600+720	9.5	5.5	700	-150	140	70	57
	60	4.6	380+480	660+720	12.9	5.5	840	-190	190	74	
BL07300105500	50	5.5	345+415	600+720	9.5	7.4	700	-200	180	70	66
	60	6.3	380+480	660+720	12.9	7.45	840	-180	180	74	
BL07300107500	50	7.5	345+415	600+720	16.7	9.6	700	-270	260	70	69
	60	8.6	380+480	660+720	17.3	10.0	840	-270	260	74	
BL07300105503	50	5.5	200+240	345+415	22.3	12.8	700	-200	180	70	66
	60	6.3	220+275	380+480			840	-180	180	74	
BL07300107503	50	7.5	200+240	345+415	28.9	16.6	700	-270	260	70	69
	60	8.6	220+275	380+480			840	-270	260	74	



tel: +420 722 712 652

Create Flow

info@createflow.cz
www.createflow.cz

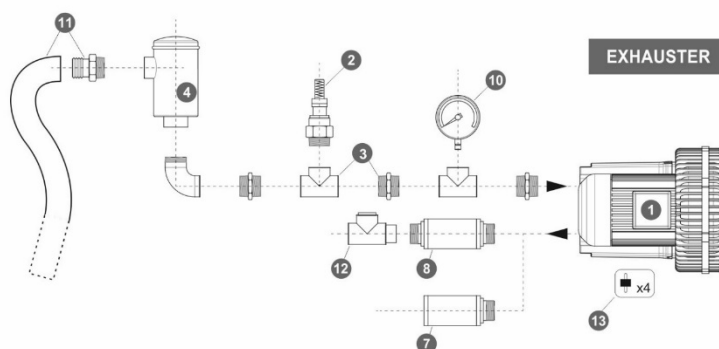
Your Choice,
Our Commitment

SIDE CHANNEL BLOWERS

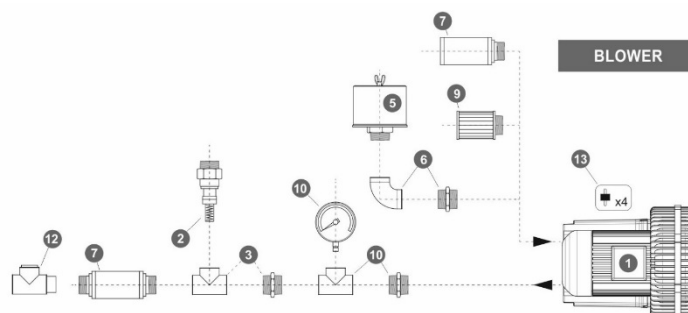
BL 073 001 – Single Impeller



MODEL	A	A'	B	B'	C	D	E	F	F'	G	H	H'	J	K	L	M	N	N'	O	P	ØR	S	V	W
BL07300104000									466	230														
BL07300105500									492	247														
BL07300107500	451		461	509	152	356	394	449			240		148	170	217	139	164		65	G 2½	15	6	4xM32x1.5	42
BL07300105503									466	230														
BL07300107503																								



Ref. #	Description	Code
1	Side Channel Blower – Single Impeller / Single Stage – 2”½ connection	BL 073 001__
2	Safety Valve	BLSV050AL03
3	Installation kit safety valve	BLKS050050C
4	In-Line filter	Paper Polyester Stainless Steel 30 µ Stainless Steel 60 µ
5	Cartridge filter	BLCF065PA007
6	Filter kit	Nipple Socket
7	Final Silencer	BLFS065ZP - BLFS065ZPR
8	In-Line silencer	BLIS065
9	Indoor filter	BLIF065ZP100
10	Gauge	Pressure Vacuum
11	Sleeve + Hose clip kit	BLSH065
12	Check valve	BLCV065AL
13	Anti-vibration pins	BLAV12



tel: +420 722 712 652

Create Flow

info@createflow.cz
www.createflow.cz

Your Choice,
Our Commitment