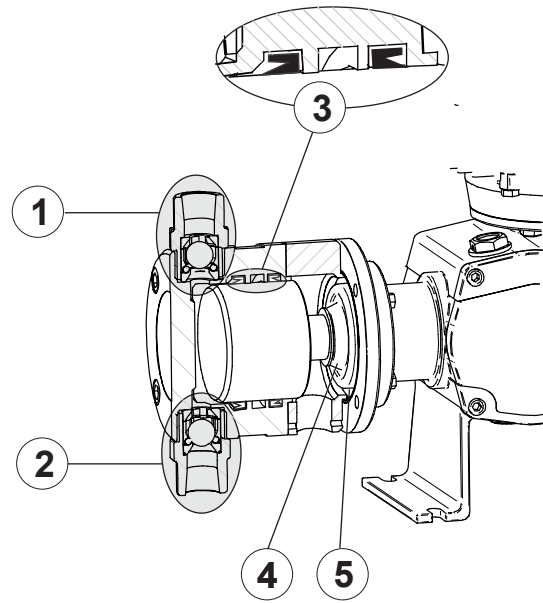


PISTON SERIES

The maintenance kit contain :

- 1 Discharge check valve
- 2 Suction check valve
- 3 Seals
- 4 Bellow
- 5 O-ring (bellow)



DIAPHRAGM SERIES

The maintenance kit contain:

- 1 Discharge check valve
- 2 Suction check valve
- 3 Diaphragm
- 4 Bellow
- 5 O-ring (bellow)

