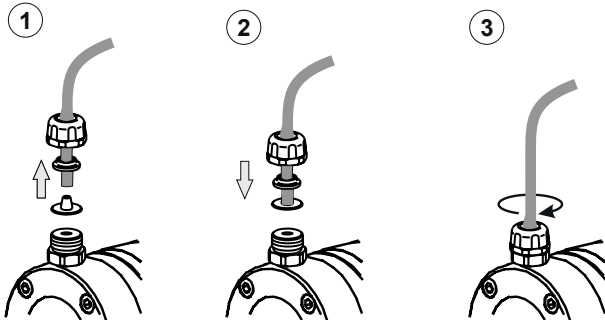
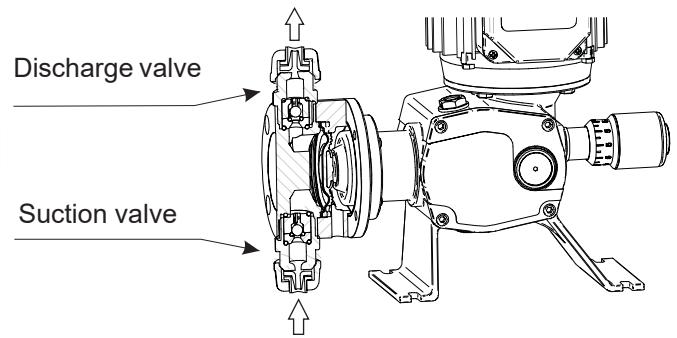


CHECK VALVES L3/4" 4-6-10, DOSTEC

D40 012

TECHNICAL FEATURES

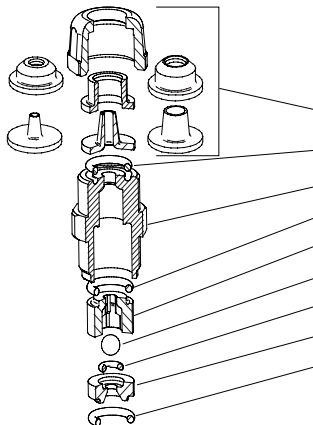
Max. flow.: Δ	120 l/h 32GPH	60 l/h 16GPH	10 l/h 3GPH
Connection thread:	3/4"	3/4"	3/4"
Hose connection:	10x12 mm	6x12 mm 6x8 mm	4x6 mm



LIST OF PARTS

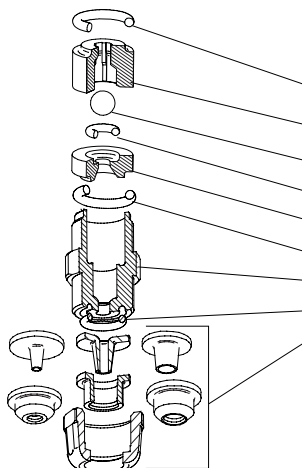
JUNTA	PP		PVDF	AISI 316
BOLA	FPM		FPM	
CUERPO	BORO.	AISI 316	BORO	AISI 316

DISCHARGE



55-801-P	55-801-P +60-B8I	55-801-P +60-060	55-801-F	55-801-I
55-824-P	55-824-P	55-824-P	55-824-F	-
62310	62310	62310-E	62310	62310
55819-P	55819-P	55819-P	55819-F	55819-I
62310	62310	62310-E	62310	62310
60813.1-P	60813.1-P	60813.1-P	60813.1-F	60813.1-I
64348	64351	64348	64348	64351
60308	60308	60308-E	60308	60308
60812.1-P	60812.1-P	60812.1-P	60812.1-F	60812.1-I
62310	62310	62310-E	62310	62310

SUCTION



55-802-P	55-802-P +60-B8I	55-802-P +60-060	55-802-F	55-802-I
62310	62310	62310-E	62310	62310
60813.1-P	60813.1-P	60813.1-P	60813.1-F	60813.1-I
64348	64351	64348	64348	64351
60308	60308	60308-E	60308	60308
60812.1-P	60812.1-P	60812.1-P	60812.1-F	60812.1-I
62310	62310	62310-E	62310	62310
55819-P	55819-P	55819-P	55819-F	55819-I
62310	62310	62310-E	62310	62310
55-824-P	55-824-P	55-824-P	55-824-F	-

Optional:

- 60-B8C Kit ball Ø8 Ceramic
- 60-060-T Kit TFE/P o-rings valve 6x12