

PRODUCT DATA SHEET

MODEL: 8000-941-260

SPECIFICATIONS:

MODEL NUMBER: 8000-941-260

PUMP DESIGN: Positive Displacement 3 Chamber Diaphragm Pump

CAM: 2.0 Degree

MOTOR: Permanent Magnet, P/N 11-111-00

VOLTAGE: 12 VDC Nominal

PRESSURE SWITCH: None

LIQUID TEMPERATURE: 180 Degrees Fahrenheit (82 Degrees Centigrade) Max.

PRIME: Self-Priming Up To 9.0 Ft. Vertical,
Max. Inlet Pressure 30 PSI (2.1 Bar)

PORTS: 3/8"-18 NPT Female

MATERIAL OF CONSTRUCTION:

PLASTICS- Nylon

VALVES- EPDM

DIAPHRAGM- Santoprene

FASTENERS- Zinc Plated Steel

NET WEIGHT: 4.5 Lbs (2.0 Kg)

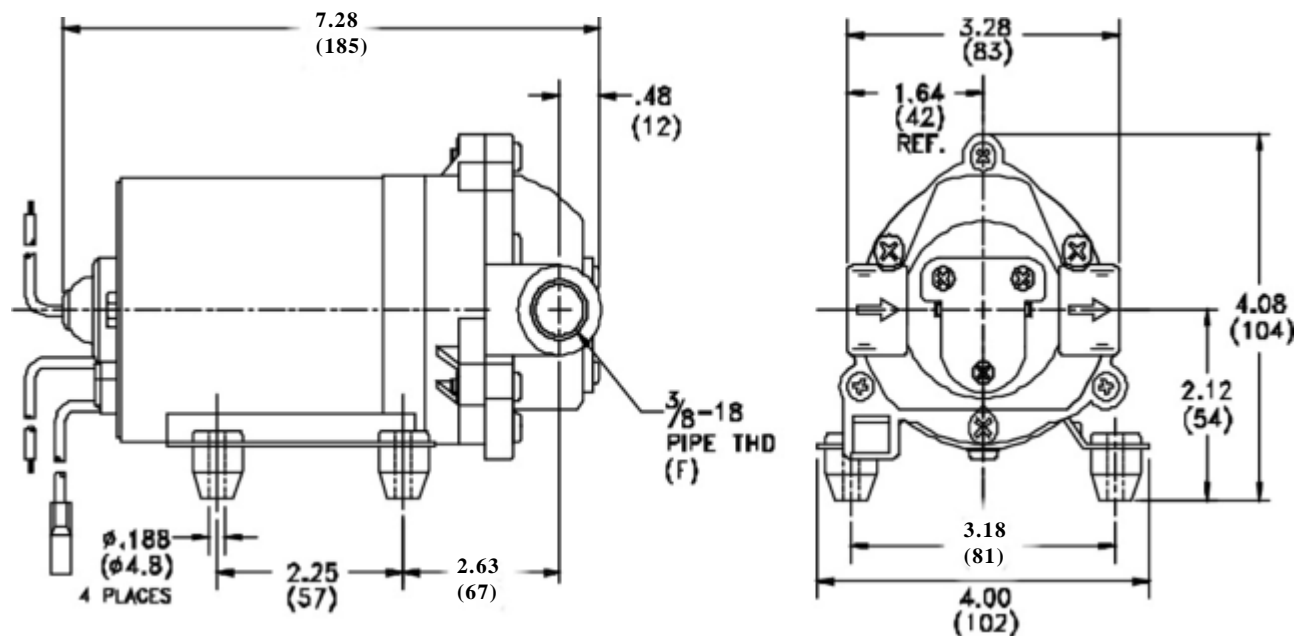
DUTY CYCLE: Continuous (See Temperature Rise Chart)

TYPICAL APPLICATIONS: Soil Extraction

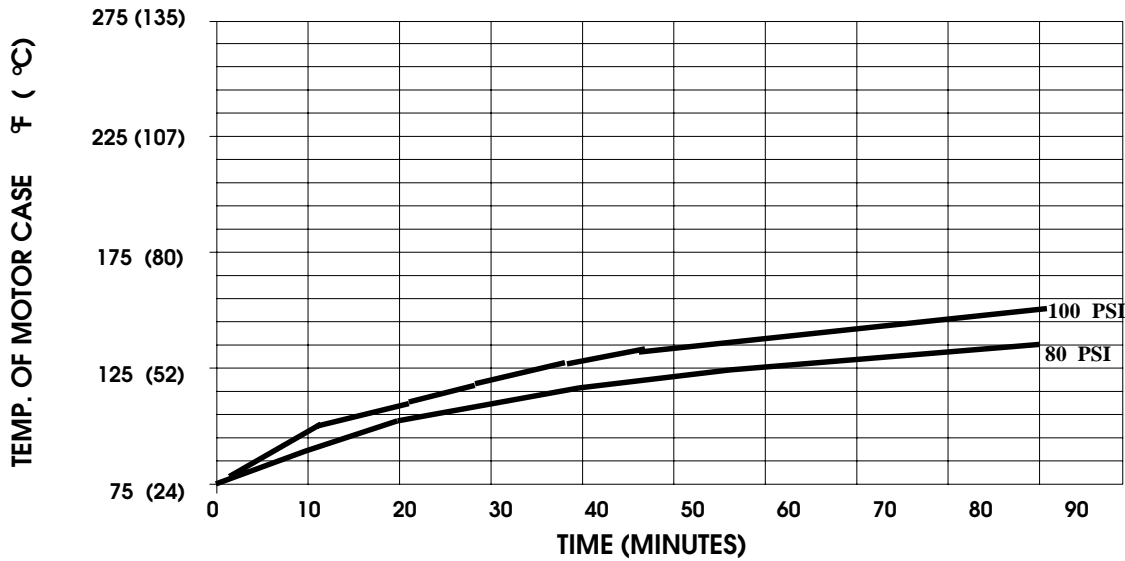
BYPASS: 145 PSI Max.

TYPICAL APPLICATIONS: Road Sweeper Dust Suppression

DIMENSIONS:

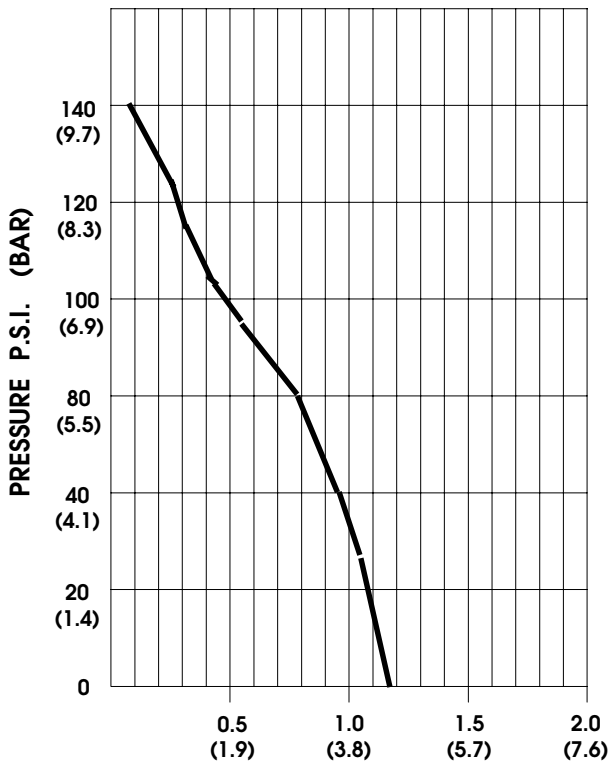


TEMPERATURE RISE



THIS GRAPH IS FOR USE AS A DESIGN GUIDE. IT IS BASED ON RUNNING CONTINUOUSLY WITH AN AMBIENT TEMPERATURE OF 70° F IN STILL AIR.

TYPICAL PERFORMANCE



PRESSURE (PSI)	FLOW (GPM/LIT)	RPM MIN/MAX	CURRENT (AMPS)	VOLTAGE (VOLTS)
OPEN	1.18/4.5	2340/2350	2.1	12 VDC
10	1.14/4.3	2325/2340	2.5	
20	1.05/4.0	2290/2300	3.0	
30	0.98/3.7	2250/2275	3.6	
40	0.94/3.5	2225/2235	4.1	
50	0.88/3.3	2190/2205	4.6	
60	0.84/3.2	2155/2185	5.0	
70	0.78/3.0	2125/2155	5.4	
80	0.75/2.8	2100/2120	5.8	
100	0.57/2.2	2075/2095	6.5	
120	0.21/0.8	1970/2045	7.2	
140	0.10/0.4	1945/2015	7.5	

-SPECIFICATIONS SUBJECT TO CHANGE WITHOUT NOTICE.

-ALL DATA BASED ON TESTING WITH WATER AT AMBIENT TEMPERATURE.